

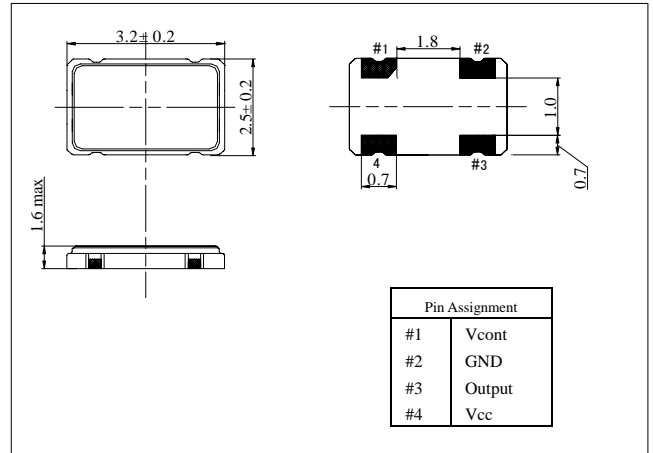
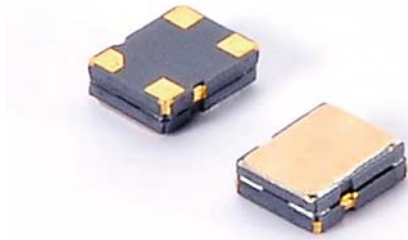


TEMPERATURE COMPENSATED CRYSTAL OSCILLATOR(TCXO) FOR GPS

GPS 用温补晶体振荡器

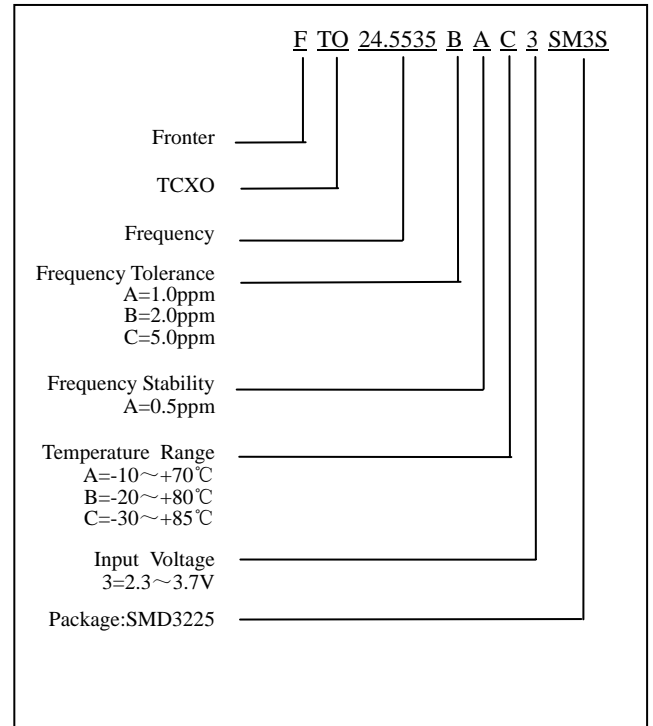
HLO321S TYPE

★ DIMENSIONS (Unit: mm) 外形尺寸

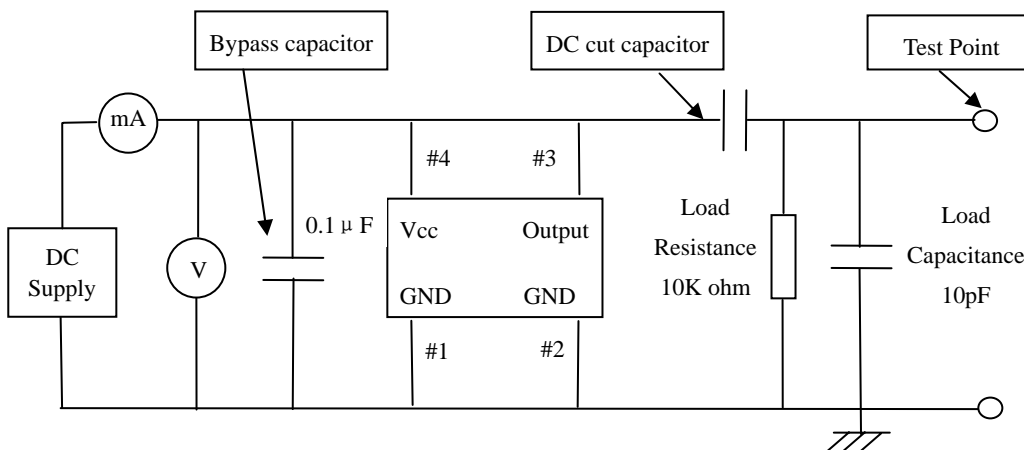


★ PARAMETERS 技术参数

PARAMETER	参数	SPECIFICATION 规格	CONDITION 条件
Frequency Range	频率范围	16.3676MHz /16.369MHz /24.5535MHz	
Supply voltage	工作电压	2.3~3.7V	
Output Waveform	输出波形	Clipped Sine Wave	
Output Level	输出幅度	0.8 Vp-p	
Input Current	输入电流	1.5 mA Max	
Operating Temp. Range	工作温度范围	-30~+85°C	
Storage Temp. Range:	储存温度范围	-40~+85°C	
Frequency Stability	频率稳定度		
vs. Temperature	vs.温度	±0.5ppm Max	Referenced to the mid point between min. and max. frequency
vs. Supply Voltage	vs.工作电压	±0.1ppm Max	Vcc±5%
vs. Load	vs.负载	±0.2ppm Max	10K Ω //10pF±10%
vs. Aging	vs.老化	±1.0ppm Max	1 Year
Frequency Tolerance	频率偏差	±2.0ppm Max	25°C, After Reflow
Frequency Slope		±0.1ppm/°C	-20~+70°C
Phase Noise	相位噪声		
		-50 dBc/Hz Max	1 Hz offset
		-80 dBc/Hz Max	10 Hz offset
		-105 dBc/Hz Max	100 Hz offset
		-125 dBc/Hz Max	1K Hz offset
		-140 dBc/Hz Max	10K Hz offset



★ TEST CIRCUIT 测试原理图



© All specification subject change without notice. 规格变化，恕不另行通知。