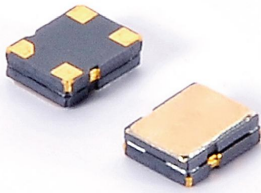




TCXO



4 Pad Version 2.0×1.6 mm

- ±0.5~±2.5 ppm stability
- Ultra-miniature package
- Clipped sine wave
- Low power consumption
- Reflow soldering temperature: 260°C max



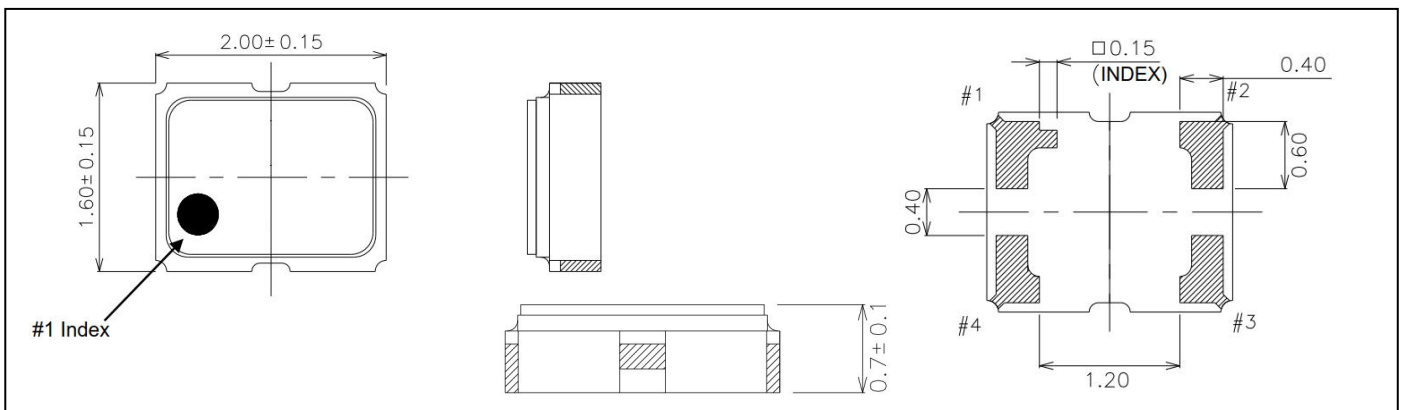
RoHS compliant

★ PARAMETERS

PARAMETERS	SPECIFICATION	
Frequency Range	13.0~50.0MHz	
Supply Voltage	1.8V、2.5V、2.8V、3.3V	
Supply Current	13MHz≤F0≤26MHz: 1.5mA max 26MHz<F0≤50MHz: 2.0mA max	
Frequency Tolerance	±1.0ppm、±1.5ppm、±2.0ppm	
Frequency Stability	Vs Temperature (ref. to +25°C)	±0.5~±2.5ppm
	Vs Supply voltage change (±5%)	±0.2ppm
	Vs Load change (±10%)	±0.2ppm
	Vs Aging (1 st Year ,25±2°C)	±1.0ppm
Operating Temp. Range	-30~+85°C、-40~+85°C	
Storage Temp. Range	-55~+125°C	
Output Waveform:	Clipped Sine Wave	
Output Level:	0.8 Vp-p Min (Clipped Sine Wave)	
Output Load	10K Ω //10pF	
Symmetry	45% ~ 55% typ. at 0.5×Vdc	
Start-up Time	2.0mS max	
Phase Noise	-115 dBc/Hz max @100Hz offset	
	-135 dBc/Hz max @1KHz offset	
	-148 dBc/Hz max @10KHz offset	

© All specification subject change without notice.

★ DIMENSIONS& LAND PATTERN LAYOUT (Unit: mm)



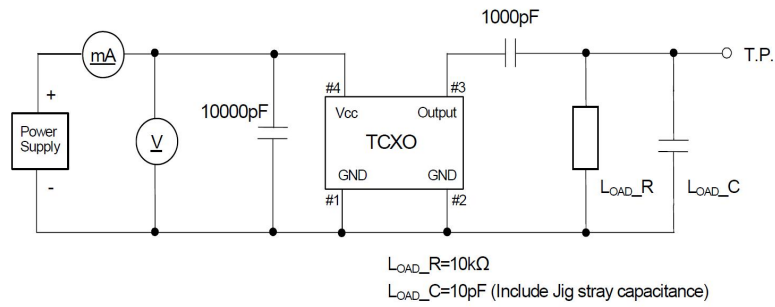
★ PART NUMBER GUIDE *e.g. HLO26.000M3.0SM2A-1.0/2.5C (*SM2=2.0×1.6 SMD TYPE)*

Logo	TCXO	Frequency	Supply voltage v	Package	Frequency Tolerance ppm	Frequency Stability ppm	Operating Temp. 工作温度
H	TO	26.000M	3.0	SM2A	1.0	2.5	C

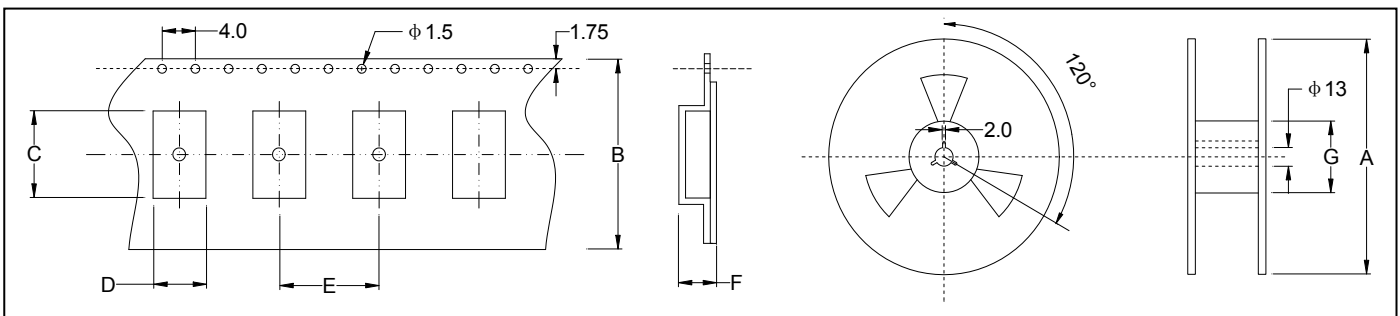


Definition	Description
Operating Temp.	A: -10~+70°C
	B: -20~+80°C
	C: -30~+85°C
	D: -40~+85°C
	E: Customer specified

★ TEST CIRCUIT

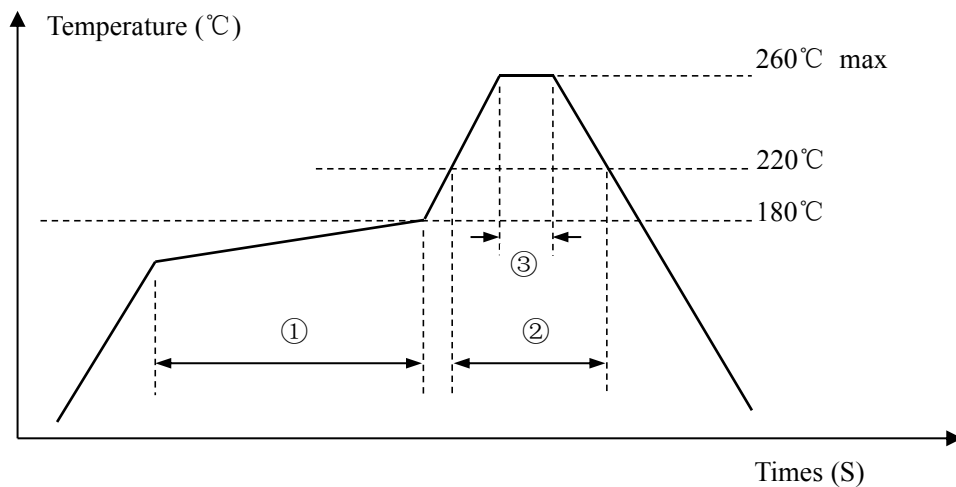


★ TAPING SPECIFICATION (Unit: mm)



	A	B	C	D	E	F	G
OSC-SMD2016	180±2.0	8.0±0.3	2.25±0.10	1.85±0.10	4.0±0.1	0.95±0.1	60.5±1.0
3000 pcs per reel							

★ REFLOW SOLDERING PROFILE



Pb free reflow A	①	Preheat	160~180°C	120sec. max
	②	Primary heat	220°C	60sec. max
	③	Peak	260°C	10sec. max.