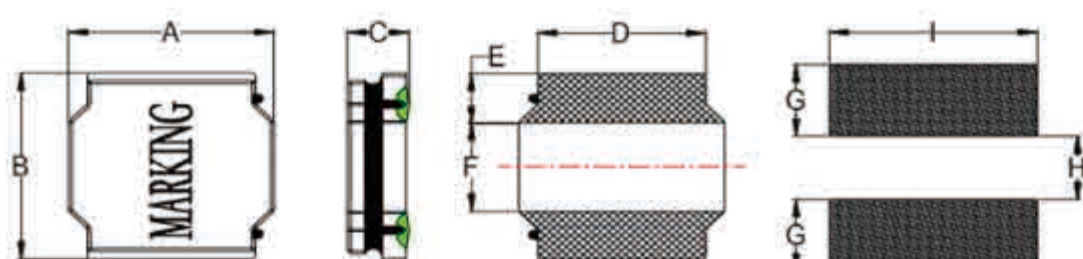


SMD POWER INDUCTORS: HL4012-R Series



Series	A (mm)	B (mm)	C (mm)	D (mm)	E (mm)	F (mm)	G (mm)	H (mm)	I (mm)
HL4012-R	4.0 ± 0.2	4.0 ± 0.2	1.2Max	3.3±0.3	1.05±0.2	1.9Ref	3.7 Ref	1.9 Ref	1.1 ef

Part Number	Inductance	Tolerance	DCR (mΩ)	Isat (A)	Irms (A)	Test
	(μH)	(±%)	Max			Condition
HL4012-R24N-R	0.24	30%	20	4.8	2.9	100KHz/1V
HL4012-1R0N-R	1	30%	42	2.8	2	100KHz/1V
HL4012-1R5N-R	1.5	30%	51	2.2	1.8	100KHz/1V
HL4012-2R2M-R	2.2	20%	75	1.76	1.32	100KHz/1V
HL4012-3R3M-R	3.3	20%	75	1.35	1.32	100KHz/1V
HL4012-4R7M-R	4.7	20%	125	1.15	1	100KHz/1V
HL4012-5R6M-R	5.6	20%	150	1	1	100KHz/1V
HL4012-6R8M-R	6.8	20%	175	1.15	0.85	100KHz/1V
HL4012-100M-R	10	20%	180	0.85	0.8	100KHz/1V
HL4012-150M-R	15	20%	310	0.68	0.65	100KHz/1V
HL4012-180M-R	18	20%	430	0.6	0.55	100KHz/1V
HL4012-220M-R	22	20%	530	0.5	0.49	100KHz/1V
HL4012-330M-R	33	20%	780	0.5	0.42	100KHz/1V
HL4012-470M-R	47	20%	1100	0.35	0.37	100KHz/1V

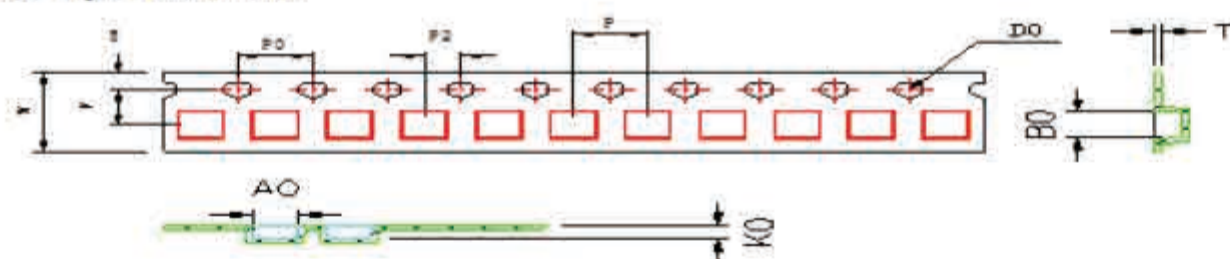
NOTES:

- All test data is referenced to 25°C ambient
- Operating Temperature Range -40°C to +125°C
- Irms : DC current (A) that will cause an approximate ΔT of 40°C
- Isat : DC current (A) that will cause Lo to drop approximately 30%

SMD POWER INDUCTORS: HL4012-R Series

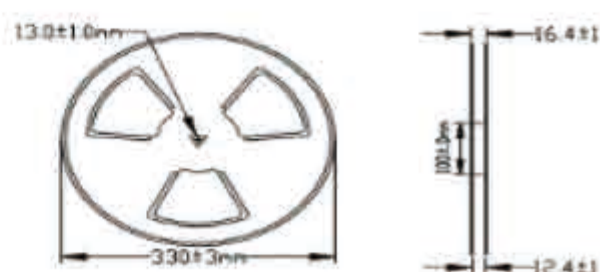
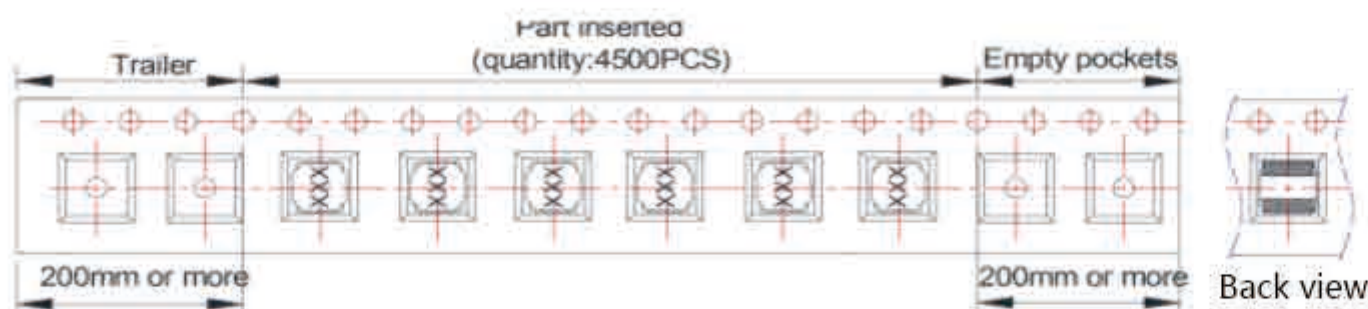
Packaging Information (包装信息)

1. Carrier Tape Dimensions:



ITEM	W	A0	B0	K0	P	F	E	D0	P0	P2	T
DIM	12.00	4.35	4.35	1.9	8.00	5.5	1.75	1.50	4.00	2.00	0.30
TOLE	±0.3	±0.1	±0.1	±0.1	±0.1	±0.1	±0.1	±0.1	±0.1	±0.1	±0.05

2. Reel Dimensions:



3. PACKAGE SPECIFICATION:

4.5KPCS/ Reel 40.5KPCS/ Outer Box