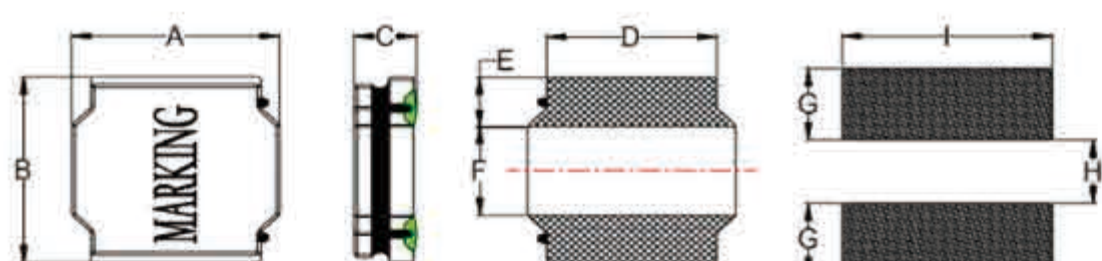


SMD POWER INDUCTORS: HL8040-R Series



Series	A (mm)	B (mm)	C (mm)	D (mm)	E (mm)	F (mm)	G (mm)	H (mm)	I (mm)
HL8040-R	8.0 ± 0.3	8.0 ± 0.3	4.2 (MAX)	6.3 ± 0.3	2.0 ± 0.2	4.0 ± 0.2	7.5	3.8	2.2

Part Number	Inductance	Tolerance	DCR (mΩ)	Isat (A)	I _{rms} (A)	Test
	(μH)	(±%)	±30%			Condition
HL8040-R56N-R	0.56	30	5	11.5	7.6	100KHz / 0.25V
HL8040-1R0N-R	1	30	8	9.85	6.3	100KHz / 0.25V
HL8040-1R5N-R	1.5	30	10	8.15	5.65	100KHz / 0.25V
HL8040-2R2N-R	2.2	30	12	7.1	5.15	100KHz / 0.25V
HL8040-3R3N-R	3.3	30	17	6.5	4.4	100KHz / 0.25V
HL8040-4R7N-R	4.7	30	20	5.9	4	100KHz / 0.25V
HL8040-5R6N-R	5.6	30	24	5.5	3.8	100KHz / 0.25V
HL8040-6R8M-R	6.8	20	28	4.55	3.6	100KHz / 0.25V
HL8040-8R2M-R	8.2	20	35	4.2	3.4	100KHz / 0.25V
HL8040-100M-R	10	20	37	3.6	3.1	100KHz / 0.25V
HL8040-150M-R	15	20	56	2.95	2.5	100KHz / 0.25V
HL8040-220M-R	22	20	74	2.4	2	100KHz / 0.25V
HL8040-270M-R	27	20	80	2.15	1.9	100KHz / 0.25V
HL8040-330M-R	33	20	100	2.05	1.7	100KHz / 0.25V
HL8040-470M-R	47	20	158	1.75	1.5	100KHz / 0.25V
HL8040-560M-R	56	20	160	1.55	1.4	100KHz / 0.25V
HL8040-680M-R	68	20	196	1.45	1.2	100KHz / 0.25V
HL8040-820M-R	82	20	245	1.3	1.1	100KHz / 0.25V
HL8040-101M-R	100	20	295	1.15	1	100KHz / 0.25V

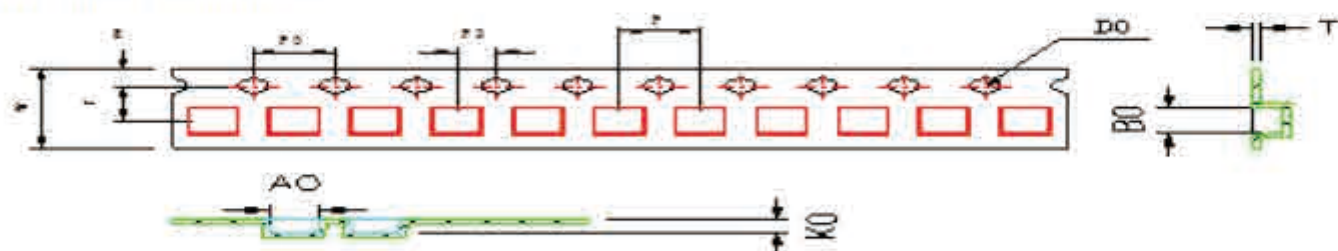
NOTES:

- All test data is referenced to 25°C ambient
- Operating Temperature Range -40°C to +125°C
- I_{rms} : DC current (A) that will cause an approximate ΔT of 40°C
- I_{sat} : DC current (A) that will cause L_o to drop approximately 30%

SMD POWER INDUCTORS: HL8040-R Series

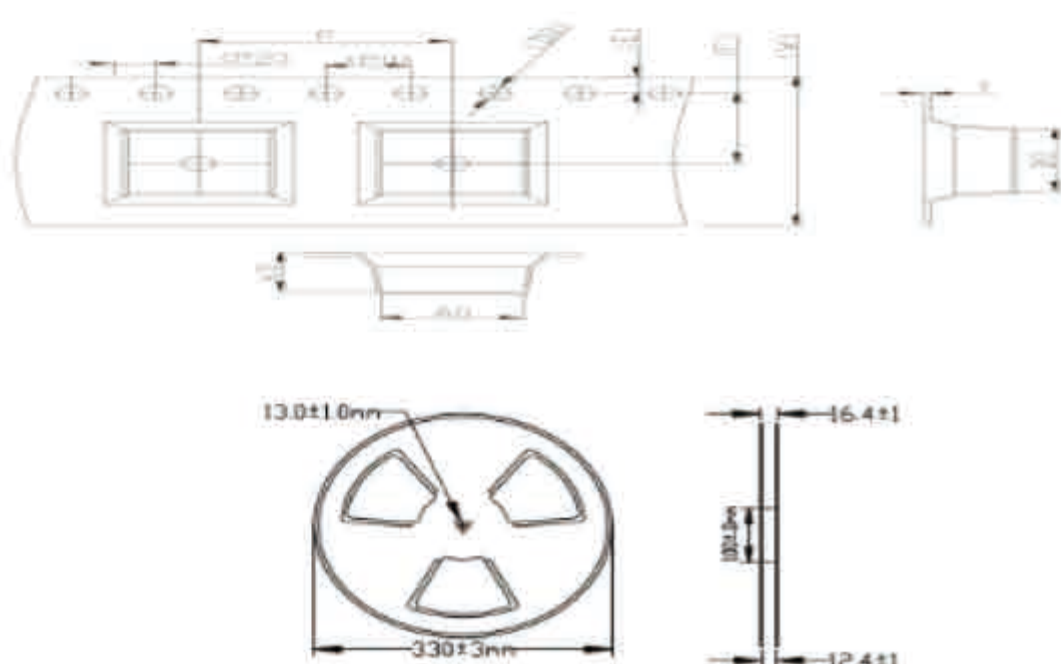
Packaging Information (包装信息)

1. Carrier Tape Dimensions:



ITEM	W	A0	B0	K0	P	F	E	D0	P0	P2	T
DIM	16.00	6.4	6.3	3.15	8.00	5.5	1.75	1.50	4.00	2.00	0.35
TOLE	±0.3	±0.1	±0.1	±0.1	±0.1	±0.1	±0.1	+0.1	±0.1	±0.1	±0.05

2. Reel Dimensions:



3. PACKAGE SPECIFICATION:

1KPCS/ Reel 12KPCS/ Outer Box