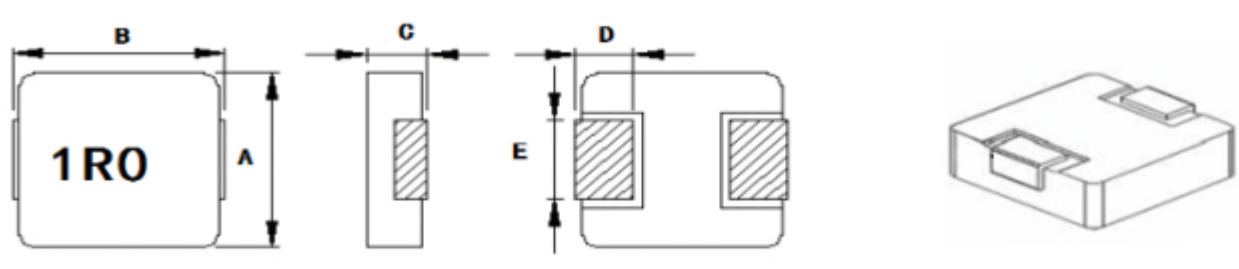


# SMD POWER INDUCTORS: HL0415H Series



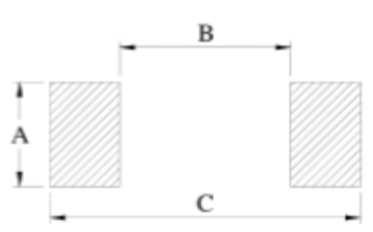
Series	A (mm)	B (mm)	C (mm)	D (mm)	E (mm)
HL0415H	4.06±0.30	4.49±0.40	1.5MAX	1.1±0.3	1.5±0.3

Part Number	L0 Inductance (μH) ±20%	Heat Rating Current Irms (A)	Saturation Current Isat (A)	DCR (mΩ)	
				TYP.	MAX.
HL0415H-R22M-P	0.22	8.0	11.0	9.5	11.0
HL0415H-R33M-P	0.33	7.0	10.0	15.0	19.0
HL0415H-R47M-P	0.47	6.0	8.0	17.0	20.0
HL0415H-R68M-P	0.68	5.0	7.5	19.0	22.0
HL0415H-1R0M-P	1.0	4.0	7.0	38.0	42.0
HL0415H-1R5M-P	1.5	3.5	6.0	48.0	50.0
HL0415H-2R2M-P	2.2	3.0	5.0	69.0	79.0
HL0415H-3R3M-P	3.3	2.3	3.5	120.0	140.0
HL0415H-4R7M-P	4.7	2.0	2.8	130.0	150.0

- NOTES:
- All test data is referenced to 25°C ambient
  - Operating Temperature Range -55°C to +150°C
  - Irms : DC current (A) that will cause an approximate ΔT of 40°C
  - Isat : DC current (A) that will cause Lo to drop approximately 30%
  - Test Frequency: 100KHZ,1.0V

# SMD POWER INDUCTORS: HL0415H Series

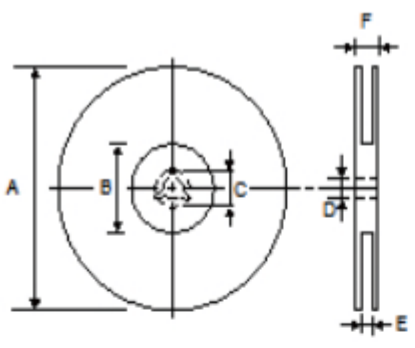
## Recommend Land Pattern Dimensions (推荐焊盘)



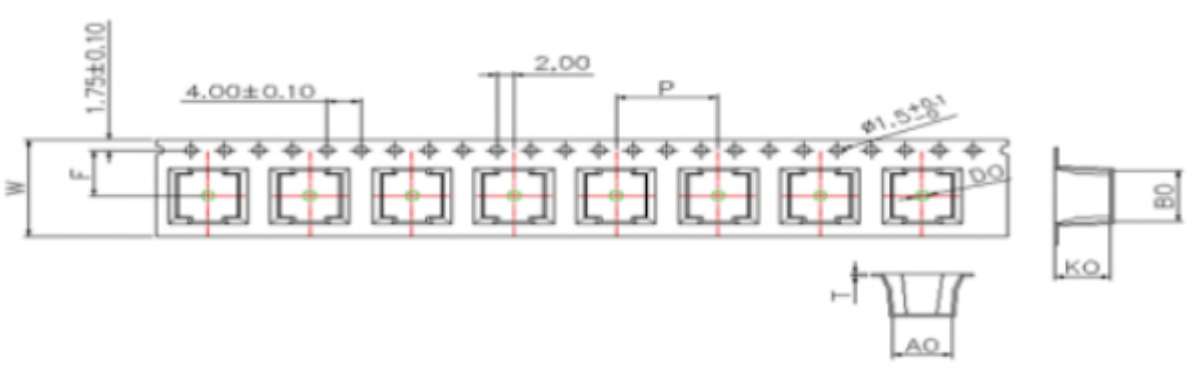
A	2.30
B	2.20
C	5.20

Unit : mm

## Packaging Information (包装信息)



TYPE	A	B	C	D	E	F
12mm	330	100	21.0±0.8	13 <sup>+0.5</sup> / <sub>-0.2</sub>	12.0±0.3	18.4



QTY (PCS)	A0	B0	KO	W	P	T
2000	4.4±0.1	5.2±0.1	1.7±0.1	12.0±0.3	8.0±0.1	0.30±0.05

- |                           |  |
|---------------------------|--|
| ①一卷包装: 2000Pcs.           | ① One roll packing :2000Pcs.                       |
| ②小箱装两卷: 一共4000Pcs.        | ② Small box packed with two rolls: a total of 4000 |
| ③大箱装三小箱: 一共12000Pcs. Pcs. | ③ Big box three small boxes: a total of 12000Pcs.  |