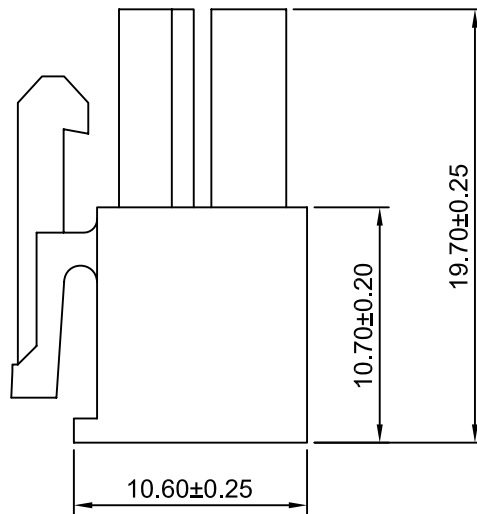
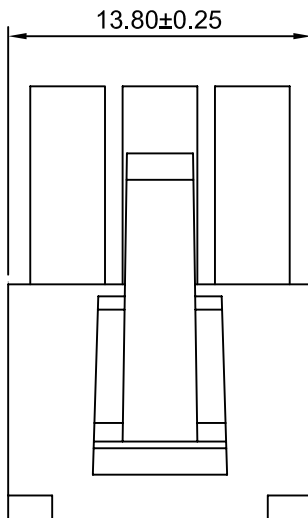
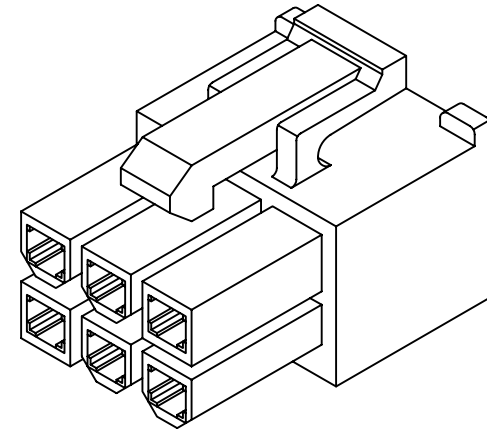


Ordering Information:

C4201HF-2x3P-A - ^{**}/₂ - ^{**}/₃

- 1.Part No.
- 2.Material:
 (blank):Nylon 66 UL94V-2
 V0:Nylon 66 UL94V-0
 GWT:Nylon 66 UL94V-0,GWT 750°C
- 3.Color:
 (blank):Natural
 WH:White
 BK:Black
 RD:Red
 YL:Yellow
 BL:Blue



SPECIFICATIONS:

Current Rating: 9A AC,DC
 Voltage Rating: 600V AC,DC
 Temperature Range: -40°C ~ +105°C
 Contact Resistance: 10mΩ Max
 Insulation Resistance: 1000MΩ Min
 Withstanding Voltage: 1500V AC/minute
 Material: Nylon 66,UL94V-2(Black)

Beijing Hongli Kumpeng International Trade Co., Ltd.

Unit	Scale	Sheet
mm	3:1	1 of 1
Draw BY:	Approved :	
Yinzhipeng	GONGYB	

Title :
**4.20mm PITCH
 DUAL ROW HOUSING -
 SPECIAL TYPE**

			General Tolerance	ANGLE±
A0	NEW RELEASE	2012.08.28	x.x≤0.25	
REV	DESCRIPTION	DATE	x.xx≤0.20	
			x.xxx≤0.15	

DRAW NO :
HLB-01-HF-2x3P-A 128 REV
 A0