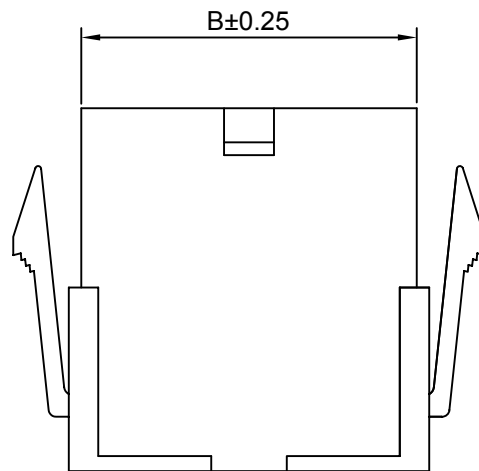


3P



2P,4P,5P~12P

**Ordering Information:**

C4201HM-XP - \*\* - \*\*  
1                    2    3

1.Part No.

2.Material:

(blank):Nylon 66 UL94V-2

V0:Nylon 66 UL94V-0

GWT:Nylon 66 UL94V-0,GWT 750°C

3.Color:

(blank):Natural

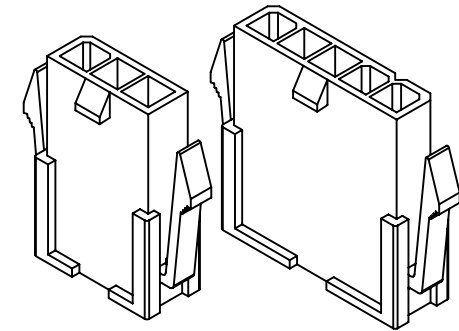
WH:White

BK:Black

RD:Red

YL:Yellow

BL:Blue



**SPECIFICATIONS:**

Current Rating: 9A AC,DC

Voltage Rating: 600V AC,DC

Temperature Range: -40°C ~ +105°C

Contact Resistance: 10mΩ Max

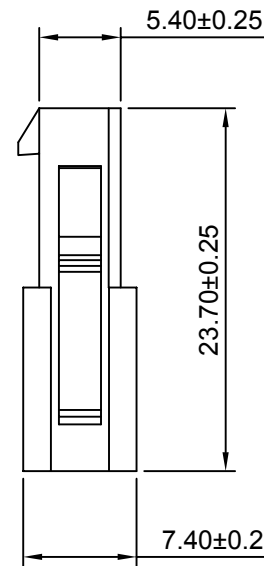
Insulation Resistance: 1000MΩ Min

Withstanding Voltage: 1500V AC/minute

Material: Nylon 66,UL94V-2(Natural )

**Ordering Information & Dimensions**

Circuits	Dimensions(mm)		Circuits	Dimensions(mm)	
	A	B		A	B
2P	4.20	9.80	8P	29.40	35.00
3P	8.40	14.00	9P	33.60	39.20
4P	12.60	18.20	10P	37.80	43.40
5P	16.80	22.40	11P	42.00	47.60
6P	21.00	26.60	12P	46.20	51.80
7P	25.20	30.80			



Beijing Hongli Kunpeng International Trade Co., Ltd.

Unit mm	Scale 2:1	Sheet 1 of 1	Title : <b>4.20mm PITCH</b>	
Draw BY: LIZQ		Approved : GONGYB		Single Row Housing
General Tolerance				
x.xx±0.25		ANGLE±		DRAW NO : HLB-01-HM-XP 126
x.xx±0.20		⊕		
A0	NEW RELEEASE	2012.11.13		
REV	DESCRIPTION	DATE		

A0	NEW RELEEASE	2012.11.13
REV	DESCRIPTION	DATE