

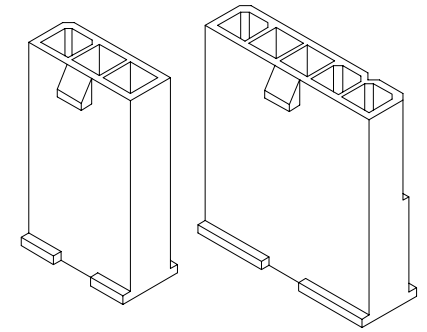
3P

2P,4P,5P~12P

**Ordering Information:**

C4201HMA-XP - \*\* \_ \*\*  
1                    2    3

- 1.Part No.
- 2.Material:  
(blank):Nylon 66 UL94V-2  
V0:Nylon 66 UL94V-0  
GWT:Nylon 66 UL94V-0,GWT 750°C
- 3.Color:  
(blank):Natural  
WH:White  
BK:Black  
RD:Red  
YL:Yellow  
BL:Blue



**SPECIFICATIONS:**

Current Rating: 9A AC,DC  
Voltage Rating: 600V AC,DC  
Temperature Range: -40°C ~ +105°C  
Contact Resistance: 10mΩ Max  
Insulation Resistance: 1000MΩ Min  
Withstanding Voltage: 1500V AC/minute  
Material: Nylon 66,UL94V-2(Natural)

**Ordering Information & Dimensions**

Circuits	Dimensions(mm)		Circuits	Dimensions(mm)	
	A	B		A	B
1P	—	5.60	7P	25.20	30.80
2P	4.20	9.80	8P	29.40	35.00
3P	8.40	14.00	9P	33.60	39.20
4P	12.60	18.20	10P	37.80	43.40
5P	16.80	22.40	11P	42.00	47.60
6P	21.00	26.60	12P	46.20	51.80

Beijing Hongli Kunpeng International Trade Co., Ltd.

Unit	Scale	Sheet
mm	2:1	1 of 1
Draw BY:	Approved :	
LIZQ	GONGYB	

Title :  
**4.20mm PITCH**  
**Single Row Housing**

A0	NEW RELEEASE	2005.05.10
REV	DESCRIPTION	DATE

General Tolerance	
x.xx±0.25	ANGLE±
x.xx±0.20	⊕
x.xxx±0.15	⊙

DRAW NO :  
**HLB-01-HMA-XP 119**      REV  
A0