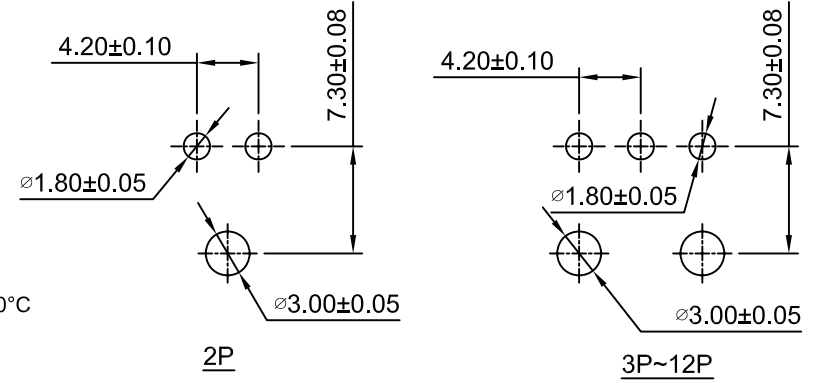


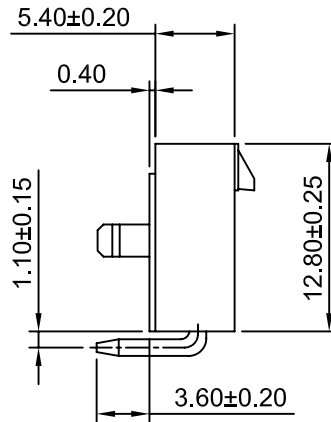
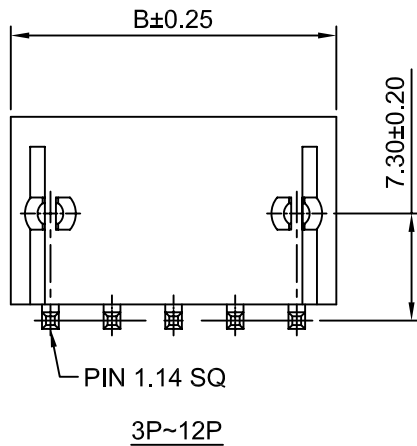
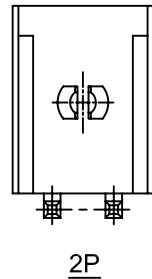
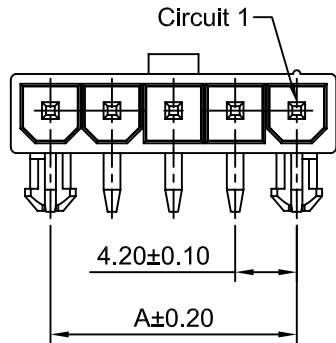
Ordering Information:

C4201WR-F-XP - ** - ** - ***
 1 2 3 4

- 1.Part No.
- 2.Material:
 (blank);Nylon 66 UL94V-2
 V0:Nylon 66 UL94V-0
 GWT:Nylon 66 UL94V-0,GWT 750°C
- 3.Color:
 (blank);Natural
 WH:White
 BK:Black
 RD:Red
 YL:Yellow
 BL:Blue
- 4.Finish:
 (blank);Tin over Nickel
 G:Gold over Nickel(1u")
 G3:Gold over Nickel(3u")
 G15:Gold over Nickel(15u")
 G30:Gold over Nickel(30u")



P.C.B LAYOUT



SPECIFICATIONS:

Current Rating: 9A AC,DC
 Voltage Rating: 600V AC,DC
 Temperature Range: -40°C ~ +105°C
 Contact Resistance: 10mΩ Max
 Insulation Resistance: 1000MΩ Min
 Withstanding Voltage: 1500V AC/minute
 Pin Material: Brass/Tin over Nickel
 Material: Nylon 66,UL94V-2(Natural)

Ordering Information & Dimensions

Circuits	Dimensions(mm)		Circuits	Dimensions(mm)	
	A	B		A	B
2P	4.20	9.60	8P	29.40	34.80
3P	8.40	13.80	9P	33.60	39.00
4P	12.60	18.00	10P	37.80	43.20
5P	16.80	22.20	11P	42.00	47.40
6P	21.00	26.40	12P	46.20	51.60
7P	25.20	30.60			

Beijing Hongli Kungpeng International Trade Co., Ltd.

Unit mm	Scale 2:1	Sheet 1 of 1
Draw BY: Tony Su	Approved : Jack Yin	

Title :
**4.20mm PITCH
 90° Single Row Wafer
 With Foot**

General Tolerance			ANGLE± 	DRAW NO : HLB-01-WR-F-XP 117	REV A0
A0	NEW RELEASE	2005.05.10			
REV	DESCRIPTION	DATE	x.x≤0.25 x.xx≤0.20 x.xxx≤0.15		