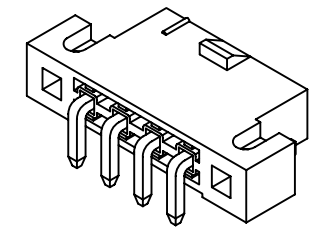
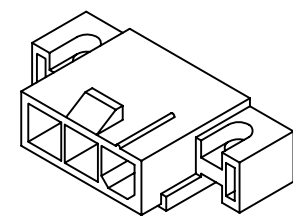


Ordering Information:
 C4201WR-E-XP - *** - ** - ***
 1 2 3 4

- Part No.
- Material:
 (blank):Nylon 66,UL94V-2
 V0:Nylon 66,UL94V-0
 GWT:Nylon 66,UL94V-0,GWT 750°C
- Color:
 (blank):Natural
 WH:White
 BK:Black
 RD:Red
 YL:Yellow
 BL:Blue
- Finish:
 (blank):Tin over Nickel
 G:Gold over Nickel(1u")
 G3:Gold over Nickel(3u")
 G15:Gold over Nickel(15u")
 G30:Gold over Nickel(30u")

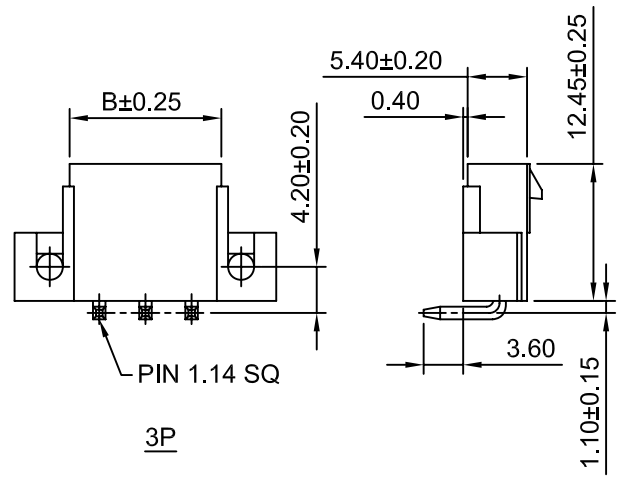
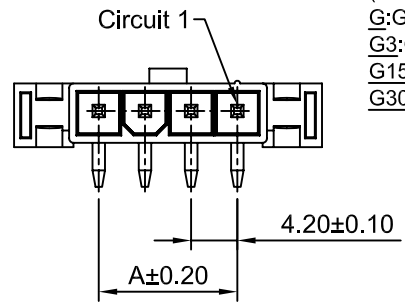
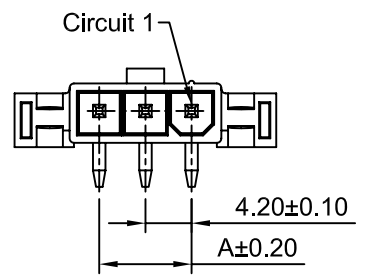


SPECIFICATIONS:
 Current Rating: 9A AC,DC
 Voltage Rating: 600V AC,DC
 Temperature Range: -40°C ~ +105°C
 Contact Resistance: 10mΩ Max
 Insulation Resistance: 1000MΩ Min
 Withstanding Voltage: 1500V AC/minute
 Pin Material: Brass/Tin over Nickel
 Material: Nylon 66,UL94V-2(Natural)

Ordering Information & Dimensions

| Circuits | Dimensions(mm) | | Circuits | Dimensions(mm) | |
|----------|----------------|-------|----------|----------------|-------|
| | A | B | | A | B |
| 2P | 4.20 | 9.60 | 2P | 29.40 | 34.80 |
| 3P | 8.40 | 13.80 | 9P | 33.60 | 39.00 |
| 4P | 12.60 | 18.00 | 10P | 37.80 | 43.20 |
| 5P | 16.80 | 22.20 | 11P | 42.00 | 47.40 |
| 6P | 21.00 | 26.40 | 12P | 46.20 | 51.60 |
| 7P | 25.20 | 30.60 | | | |

RECOMMENDED INSTALLATION



Beijing Hongli Kumpeng International Trade Co., Ltd.

| | | |
|----------|------------|--------|
| Unit | Scale | Sheet |
| mm | 1.5:1 | 1 of 1 |
| Draw BY: | Approved : | |
| Tony Su | Jack Yin | |

Title :
**4.20mm PITCH
 90° Single Row Wafer
 With Ear**

DRAW NO :
HLB-01-WR-E-XP 114

REV
 A0

| General Tolerance | | |
|-------------------|-------------|------------|
| x.xx±0.25 | ANGLE± | |
| x.xxx±0.20 | ⊕ | |
| x.xxxx±0.15 | ⊖ | |
| A0 | NEW RELEASE | 2005.05.10 |
| REV | DESCRIPTION | DATE |