

Ordering Information:

C4201WRG-F-2xXP - ** - ** - XX
1 2 3 4

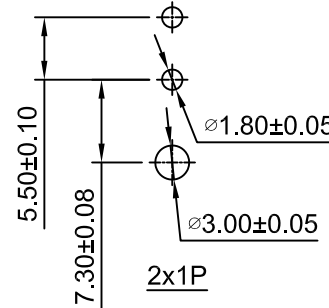
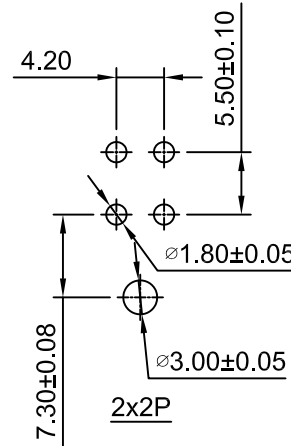
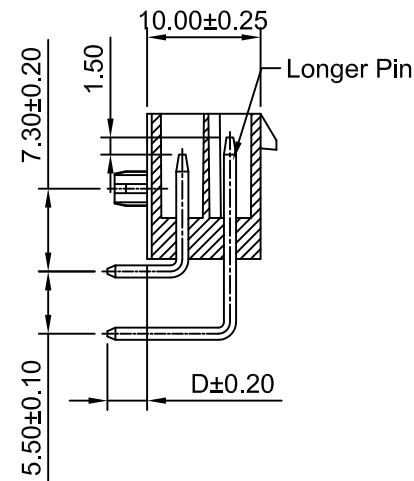
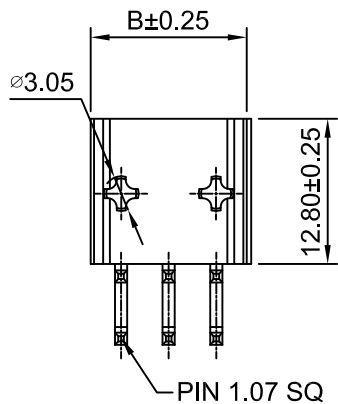
- 1.Part No.
- 2.Color:
(blank):Black
NAT:Natural
- 3.Finish:
(blank):Tin over Nickel
G:Gold over Nickel
G30:Gold over Nickel(Au:30u")
- 4.Style:
44: 2x12P,see sheet 2

SPECIFICATIONS:

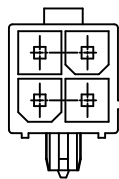
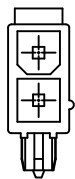
Current Rating: 13A AC,DC
Voltage Rating: 600V AC,DC
Temperature Range: -40°C ~ +105°C
Contact Resistance: 10mΩ Max.
Insulation Resistance: 1000MΩ Min.
Withstanding Voltage: 1500V AC/minute
Pin Material: Brass/Tin over Nickel
Material: LCP,UL94V-0(Black)

Ordering Information & Dimensions

Circuits	Dimensions(mm)		Circuits	Dimensions(mm)	
	A	B		A	B
2x1P	---	5.40	2x7P	25.20	30.60
2x2P	4.20	9.60	2x8P	29.40	34.80
2x3P	8.40	13.80	2x9P	33.60	39.00
2x4P	12.60	18.00	2x10P	37.80	43.20
2x5P	16.80	22.20	2x11P	42.00	47.40
2x6P	21.00	26.40	2x12P	46.20	51.60



P.C.B LAYOUT



Beijing Hongli Kunpeng International Trade Co., Ltd.

Unit	Scale	Sheet
mm	1.5:1	1 of 2
Draw By:	Approved :	
Diankui Wan	Jack Yin	

Title :
4.20mm Pitch
90° Dual Row Wafer

REV	DESCRIPTION	DATE
A0	NEW RELEASE	2018.12.27

General Tolerance	
x.x±0.25	PROJECT
x.xx±0.20	
x.xxx±0.15	

DRAW NO : HLB-01-WRG-F-2xXP 111	REV A0
------------------------------------	-----------

Style	Housing Material	Circuits	Finish	PIN ID/CIRCUIT LOCATION (V=VOID)																							
				P1	P2	P3	P4	P5	P6	P7	P8	P9	P10	P11	P12	P13	P14	P15	P16	P17	P18	P19	P20	P21	P22	P23	P24
44	LCP,UL94V-0, Black	2x12P	Tin over Nickel	V	2	V	2	V	2	V	2	V	2	V	2	V	2	V	2	V	2	V	2	V	2	V	

PIN ID	MATING CONFIGURATION	SIZE D REF (mm) (PCB TAIL LENGTH)
1	LONGER PIN	3.50
2	STANDARD	3.50
3	LONGER PIN	4.90
4	STANDARD	6.00
5	LONGER PIN	4.20
6	STANDARD	4.20
8	STANDARD	5.30
9	STANDARD	8.00

Beijing Hongli Kunpeng International Trade Co., Ltd.

Unit	Scale	Sheet	Title :
mm	1.5:1	1 of 2	
Draw By:	Approved :		4.20mm Pitch
Diankui Wan	Jack Yin		
General Tolerance			90° Dual Row Wafer
x.x±0.25 x.xx±0.20 x.xxx±0.15			
A0	NEW RELEASE	2018.12.27	DRAW NO : HLB-01-WRG-F-2xXP 111
REV	DESCRIPTION	DATE	
PROJECT			REV
			A0