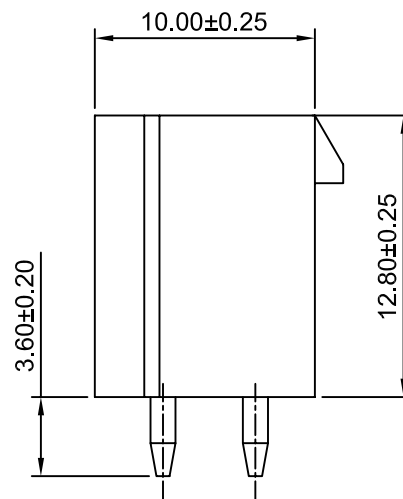
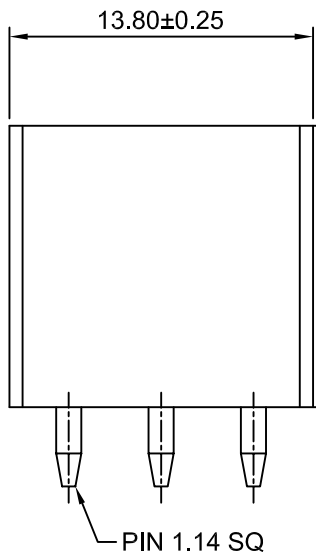
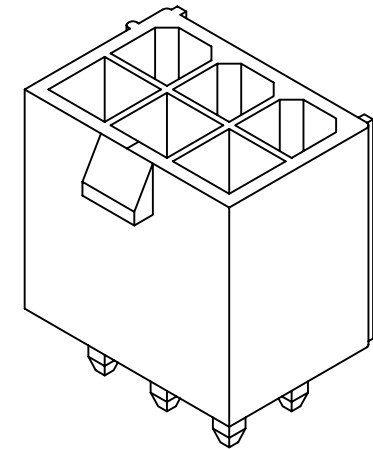


P.C.B LAYOUT

Ordering Information:

C4201WV-2x3P-C - *** - ***
 1 2 3

- 1.Part No.
- 2.Material:
 (blank):Nylon 66,UL94V-2
 V0:Nylon 66,UL94V-0
 GWT:Nylon 66,UL94V-0,GWT 750°C
- 3.Color:
 (blank):Black
 NAT:Natural
 WH:White
 RD:Red
 YL:Yellow
 BL:Blue



SPECIFICATIONS:

Current Rating: 9A AC,DC
 Voltage Rating: 600V AC,DC
 Temperature Range: -40°C ~ +105°C
 Contact Resistance: 10mΩ Max
 Insulation Resistance: 1000MΩ Min
 Withstanding Voltage: 1500V AC/minute
 Pin Material: Brass/Tin over Nickel
 Material: Nylon 66,UL94V-2(Black)

Beijing Hongli Kumpeng International Trade Co., Ltd.

Unit	Scale	Sheet
mm	3:1	1 of 1
Draw BY:	Approved :	
Tony Su	Jack Yin	

Title :
4.20mm PITCH
180° DUAL ROW WAFER
- SPECIAL TYPE

			x.x≤0.25	ANGLE±
A0	NEW RELEASE	2012.11.14	x.xx≤0.20	
REV	DESCRIPTION	DATE	x.xxx≤0.15	

DRAW NO :
HLB-01-WV-2x3P-C 108 REV
 A0