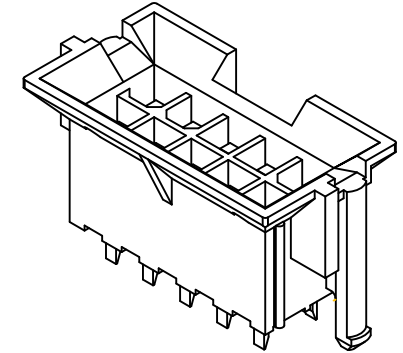


Ordering Information:  
 C4201WVA-F1-2xXP - \*\*\* - \*\* - \*\*\*  
 1 2 3 4

- 1.Part No.
- 2.Material:  
 (blank):Nylon 66,UL94V-2  
 V0:Nylon 66,UL94V-0  
 GWT:Nylon 66,UL94V-0,GWT 750°C
- 3.Color:  
 (blank):Natural  
 WH:White  
 BK:Black  
 RD:Red  
 YL:Yellow  
 BL:Blue
- 4.Finish:  
 (blank):Tin over Nickel  
 G:Gold over Nickel(1u")  
 G3:Gold over Nickel(3u")  
 G15:Gold over Nickel(15u")  
 G30:Gold over Nickel(30u")



**SPECIFICATIONS:**

Current Rating: 11A AC,DC(Max)(Maximum current up to 11A when using the C4201F-TCA-HH series terminal)  
 Voltage Rating: 600V AC,DC  
 Temperature Range: -40°C ~ +105°C  
 Contact Resistance: 10mΩ Max  
 Insulation Resistance: 1000MΩ Min  
 Withstanding Voltage: 1500V AC/minute  
 Pin Material: Brass  
 Material: Nylon 66,UL94V-2

**Ordering Information & Dimensions**

Circuits	Dimensions(mm)			Circuits	Dimensions(mm)		
	A	B	C		A	B	C
2x1P	----	13.20	9.40	2x8P	29.40	42.60	38.80
2x2P	4.20	17.40	13.60	2x9P	33.60	46.80	43.00
2x3P	8.40	21.60	17.80	2x10P	37.80	51.00	47.20
2x4P	12.60	25.80	22.00	2x11P	42.00	55.20	51.40
2x5P	16.80	30.00	26.20	2x12P	46.20	59.40	55.60
2x6P	21.00	34.20	30.40	2x18P	71.40	84.60	80.80
2x7P	25.20	38.40	34.60				

Beijing Hongli Kungpeng International Trade Co., Ltd.

Unit	Scale	Sheet	TITLE
mm	2:1	1 of 1	4.20mm PITCH VERTICAL DUAL ROW WAFER WITH FOOT - WITH DRAIN HOLES
DRWN	CHK'D	APPR	DRAWING NO.
Wenmin Luo	Diankui Wan	Jack Yin	HLB-01-WVA-F1-2xXP 98
General Tolerances	THIRD ANGLE PROJECTION		REV
x.xx±0.25 x.xx±0.20 x.xxx±0.15 ANGLES ±1°			A1

A1	CHANGE THE DRAWING	2018.03.12
A0	NEW RELEASE	2005.05.10
REV	DESCRIPTION	DATE