

Ordering Information:

C4201WVD-F-XP - *** - ** - ***

1 2 3 4

1.Part No.

2.Material:

(blank):Nylon 66 UL94V-2

V0:Nylon 66 UL94V-0

GWT:Nylon 66 UL94V-0,GWT 750°C

3.Color:

(blank):Natural

WH:White

BK:Black

RD:Red

YL:Yellow

BL:Blue

4.Finish:

(blank):Tin over Nickel

G:Gold over Nickel(1u")

G3:Gold over Nickel(3u")

G15:Gold over Nickel(15u")

G30:Gold over Nickel(30u")

SPECIFICATIONS:

Current Rating: 9A AC,DC

Voltage Rating: 600V AC,DC

Temperature Range: -40°C ~ +105°C

Contact Resistance: 10mΩ Max

Insulation Resistance: 1000MΩ Min

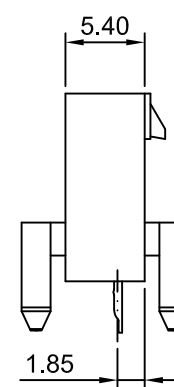
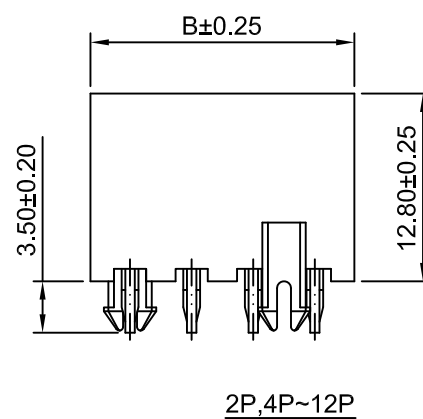
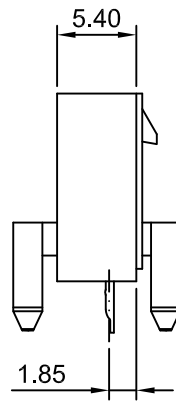
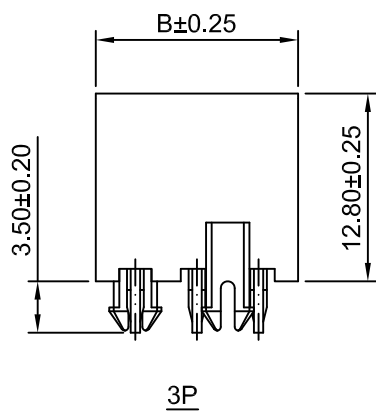
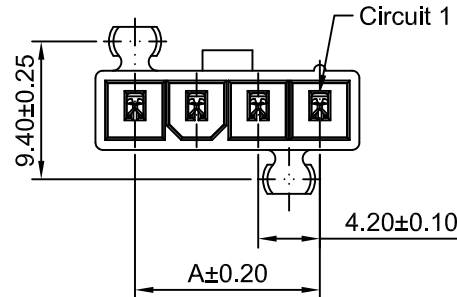
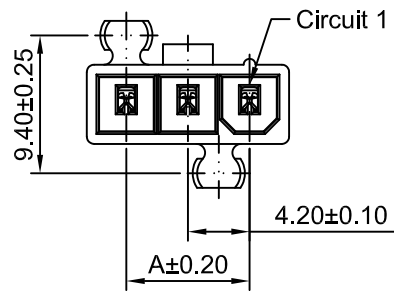
Withstanding Voltage: 1500V AC/minute

Pin Material: Brass/Tin over Nickel

Material: Nylon 66,UL 94V-2(Natural)

Ordering Information & Dimensions

Circuits	Dimensions(mm)		Circuits	Dimensions(mm)	
	A	B		A	B
2P	4.20	9.60	8P	29.40	34.80
3P	8.40	13.80	9P	33.60	39.00
4P	12.60	18.00	10P	37.80	43.20
5P	16.80	22.20	11P	42.00	47.40
6P	21.00	26.40	12P	46.20	51.60
7P	25.20	30.60			



Beijing Hongli Kumpeng International Trade Co., Ltd.

Unit	Scale	Sheet
mm	2:1	1 of 1
Draw BY:	Approved :	
Tony Su	Jack Yin	

Title : 4.20mm PITCH
180° SINGLE ROW WAFER
WITHOUT DRAIN HOLES

DRAW NO : HLB-01-WVD-F-XP 96 REV A0

A0	NEW RELEASE	2005.05.10	x.x≤0.25	ANGLE±
REV	DESCRIPTION	DATE	x.xx≤0.20	
			x.xxx≤0.15	