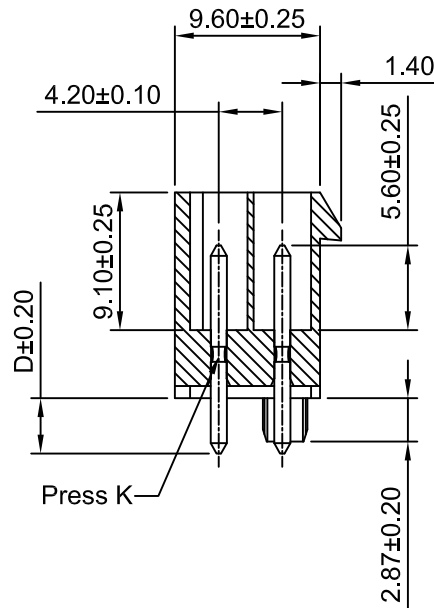
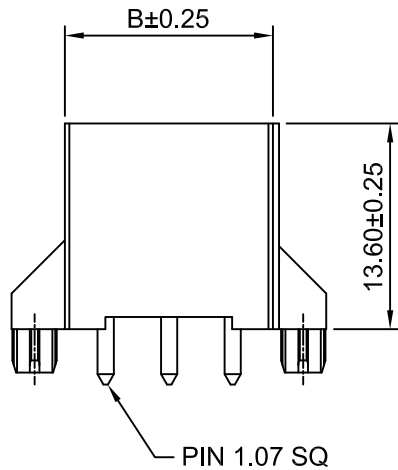


P.C.B LAYOUT



Ordering Information:  
 C4201WVG-F-2xXP - \*\* - \*\*  
 1 2 3

- Part No.
- Material:  
 (blank):LCP,UL94V-0(Black)  
 6T:Nylon 6T,UL94V-0(Natural)  
 9T:Nylon 9T,UL94V-0(Natural)
- Size D:  
 (blank):D=3.66mm  
 D45:D=4.46mm  
 D53:D=5.26mm  
 D71:D=7.06mm
- Finish:  
 (blank):Tin over Nickel  
 G:Gold over Nickel  
 G30:Gold over Nickel(Au=30u")

SPECIFICATIONS:

Current Rating: 13A AC,DC  
 Voltage Rating: 600V AC,DC  
 Temperature Range: -40°C ~ +105°C  
 Contact Resistance: 10mΩ Max.  
 Insulation Resistance: 1000MΩ Min.  
 Withstanding Voltage: 1500V AC/minute  
 Pin Material: Brass/Tin over Nickel  
 Material: LCP,UL94V-0(Black)

Ordering Information & Dimensions

Part NO.	Dimensions(mm)	
	A	B
C4201WVG-F-2x1P	—	5.40
C4201WVG-F-2x2P	4.20	9.60
C4201WVG-F-2x3P	8.40	13.80
C4201WVG-F-2x4P	12.60	18.00
C4201WVG-F-2x5P	16.80	22.20
C4201WVG-F-2x6P	21.00	26.40
C4201WVG-F-2x7P	25.20	30.60
C4201WVG-F-2x8P	29.40	34.80
C4201WVG-F-2x9P	33.60	39.00
C4201WVG-F-2x10P	37.80	43.20
C4201WVG-F-2x11P	42.00	47.40
C4201WVG-F-2x12P	46.20	51.60

Beijing Hongli Kunpeng International Trade Co., Ltd.

Unit	Scale	Sheet
mm	2:1	1 of 1
Draw By:	Approved :	
Diankui Wan	Jack Yin	

Title :  
 4.20mm Pitch  
 180° Dual Row Wafer  
 DRAW NO :  
 HLB-01-WVG-F-2xXP 83  
 REV A2

REV	DESCRIPTION	DATE	General Tolerance
A2	ADD THE -D71 TYPE	2020.03.30	
A1	CHANGE THE DRAWING	2019.03.27	x.xx±0.25
A0	NEW RELEASE	2018.12.27	x.xx±0.20
			x.xxx±0.15

