

Ordering Information:

C4201HF-2x3P-B - ** - **
 1 2 3

1.Part No.

2.Material:

(blank):Nylon 66 UL94V-2

V0:Nylon 66 UL94V-0

GWT:Nylon 66 UL94V-0,GWT 750°C

3.Color:

(blank):Natural

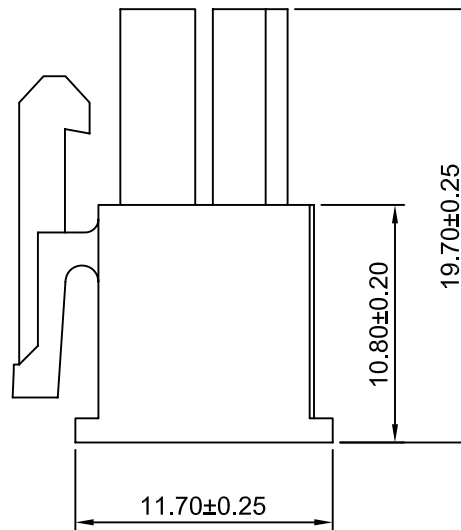
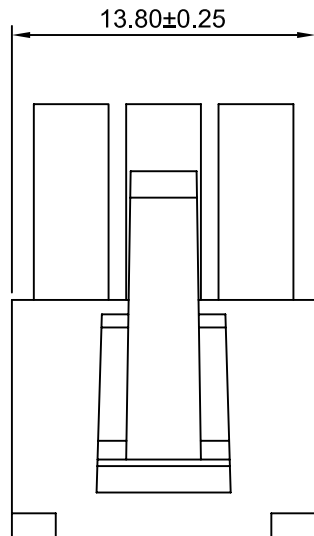
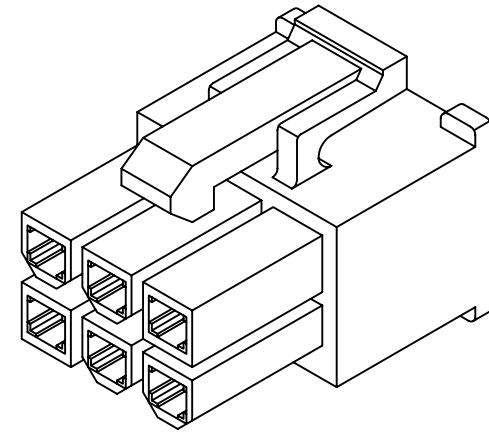
WH:White

BK:Black

RD:Red

YL:Yellow

BL:Blue



SPECIFICATIONS:

Current Rating: 9A AC,DC

Voltage Rating: 600V AC,DC

Temperature Range: -40°C ~ +105°C

Contact Resistance: 10mΩ Max

Insulation Resistance: 1000MΩ Min

Withstanding Voltage: 1500V AC/minute

Material: Nylon 66,UL94V-2(Black)

Beijing Hongli Kungpeng International Trade Co., Ltd.

| | | |
|------|-------|--------|
| Unit | Scale | Sheet |
| mm | 3:1 | 1 of 1 |

| | |
|------------|------------|
| Draw BY: | Approved : |
| Yinzhipeng | GONGYB |

Title :
**4.20mm PITCH
 DUAL ROW HOUSING -
 SPECIAL TYPE**

| | |
|-------------------|--------|
| General Tolerance | |
| x.x≤0.25 | ANGLE± |
| x.xx≤0.20 | |
| x.xxx≤0.15 | |

DRAW NO :
HLB-01-HF-2x3P-B 81 REV
 A0

| | | |
|-----|-------------|------------|
| | | |
| A0 | NEW RELEASE | 2012.11.14 |
| REV | DESCRIPTION | DATE |