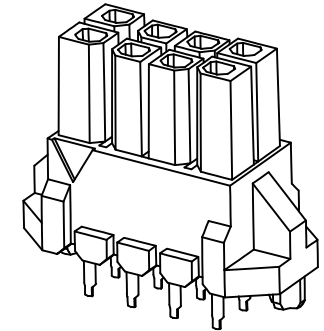


Ordering Information:  
 C3030HFWV-2xXP - \*\* - \*\*  
 1 2 3

- Part No.
- Material:  
 (blank):LCP UL94V-0  
 GWT:LCP UL94V-0,GWT 750°C
- Finish:  
 (blank):Tin over Nickel  
 G:Gold over Nickel(1"U)  
 G3:Gold over Nickel(3"U)  
 G15:Gold over Nickel(15"U)  
 G30:Gold over Nickel(30"U)



**SPECIFICATIONS:**

Current Rating: 12.5A AC,DC (AWG #18)  
 Voltage Rating: 600V AC,DC  
 Temperature Range: -40°C ~ +105°C  
 Contact Resistance: 10mΩ Max  
 Insulation Resistance: 1000MΩ Min  
 Withstanding Voltage: 1500V AC/minute  
 Pin Material: Phosphor Bronze/Tin over Nickel  
 Material: LCP,UL94V-0(Black)

**Ordering Information & Dimensions**

Circuits	Dimensions(mm)			Circuits	Dimensions(mm)		
	A	B	C		A	B	C
2x2P	3.00	12.00	9.00	2x8P	21.00	30.00	27.00
2x3P	6.00	15.00	12.00	2x9P	24.00	33.00	30.00
2x4P	9.00	18.00	15.00	2x10P	27.00	36.00	33.00
2x5P	12.00	21.00	18.00	2x11P	30.00	39.00	36.00
2x6P	15.00	24.00	21.00	2x12P	33.00	42.00	39.00
2x7P	18.00	27.00	24.00				

Beijing Hongli Kunpeng International Trade Co., Ltd.

Unit	Scale	Sheet	TITLE
mm	2:1	1 of 1	3.00mm Pitch
DRWN	CHK'D	APPR	VERTICAL Dual Row Wafer
Xu Lei	Diankui Wan	Jack Yin	
General Tolerances			THIRD ANGLE PROJECTION
x.xx±0.25			DRAWING NO.
x.xxx±0.20			
x.xxxx±0.15			REV
ANGLES ±1°			
REV			A3

REV	DESCRIPTION	DATE
A3	CHANGE THE DRAWING	2022.01.14
A2	ADD THE SIZE OF PIN	2019.08.26
A1	CHANGE THE Current Rating	2018.12.26
A0	NEW RELEASE	2013.02.27

HLB-30-HFWV-2xXP 43