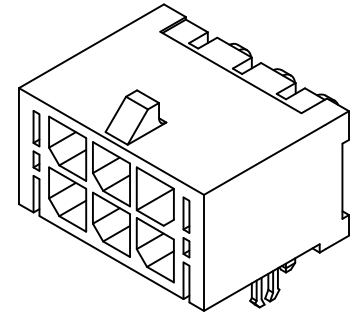


**Ordering Information:**  
**C3030WRA-F-2xXP - \*\*\* - \*\***  
 1 2 3

- 1.Part No.
- 2.Material:  
 (blank):Nylon 6T UL94V-0  
 LCP:LCP UL94V-0  
 GWT:Nylon 6T UL94V-0,GWT 750°C
- 3.Finish:  
 (blank):Tin over Nickel  
 G:Gold over Nickel(1"U)  
 G3:Gold over Nickel(3"U)  
 G15:Gold over Nickel(15"U)  
 G30:Gold over Nickel(30"U)

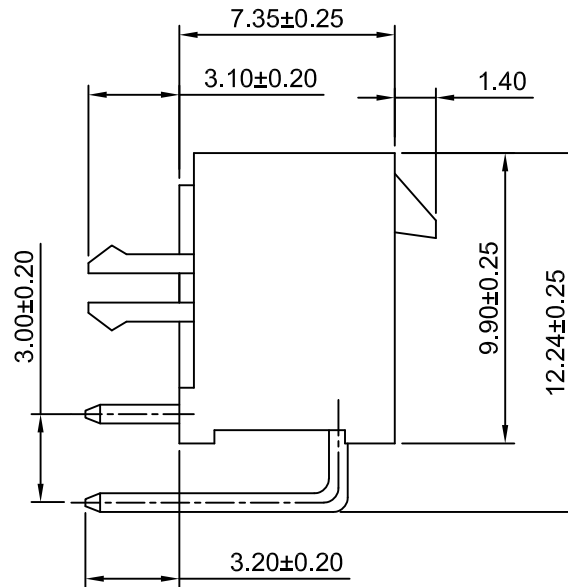
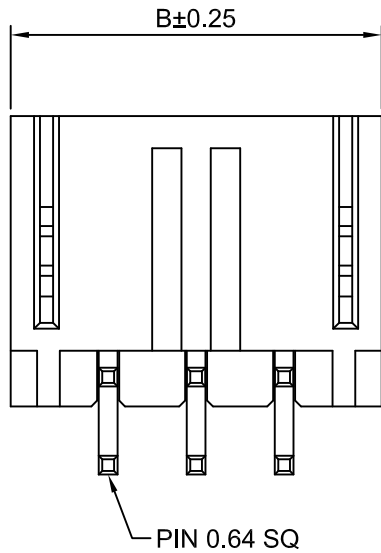


**SPECIFICATIONS:**

Current Rating: 12.5A AC,DC (AWG #18)  
 Voltage Rating: 600V AC,DC  
 Temperature Range: -40°C ~ +265°C  
 Contact Resistance: 10mΩ Max  
 Insulation Resistance: 1000MΩ Min  
 Withstanding Voltage: 1000V AC/minute  
 Pin Material: Brass/Tin over Nickel  
 Material:Nylon 6T,UL94V-0(Black)

**Ordering Information & Dimensions**

Circuits	Dimensions(mm)		Circuits	Dimensions(mm)	
	A	B		A	B
2x1P	---	6.65	2x7P	18.00	24.65
2x2P	3.00	9.65	2x8P	21.00	27.65
2x3P	6.00	12.65	2x9P	24.00	30.65
2x4P	9.00	15.65	2x10P	27.00	33.65
2x5P	12.00	18.65	2x11P	30.00	36.65
2x6P	15.00	21.65	2x12P	33.00	39.65



**Beijing Hongli Kunpeng International Trade Co., Ltd.**

Unit	Scale	Sheet	TITLE
mm	4:1	1 of 1	
DRWN	CHK'D	APPR	3.00mm PITCH
Xu Lei	Diankui Wan	Jack Yin	
General Tolerances			RIGHT-ANGLE DUAL ROW WAFER
THIRD ANGLE PROJECTION			DRAWING NO.
x.xx±0.25 x.xxx±0.20 x.xxxx±0.15 ANGLES ±1°			HLB-30-WRA-F-2xXP 28
			REV A2

REV	DESCRIPTION	DATE
A2	CHANGE THE DRAWING	2022.01.17
A1	CHANGE THE Current Rating	2018.12.19
A0	NEW RELEASE	2010.05.06