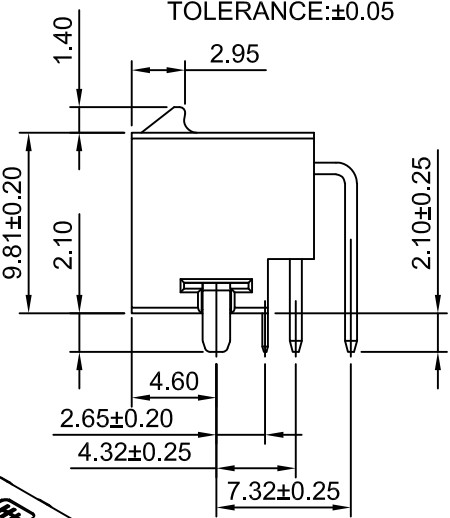
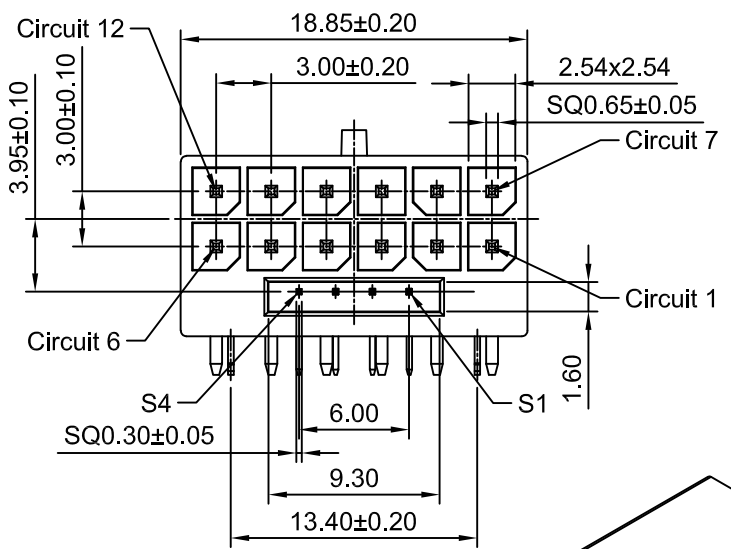


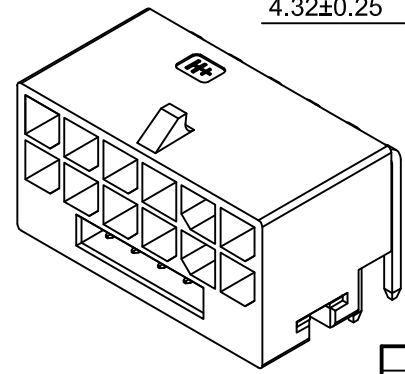
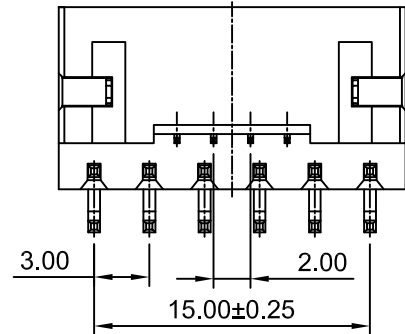
Ordering Information:  
C3030WRE-F-2x6P - \*\*\*  
1 2

- 1.Part NO.
- 2.Finish:
  - (Blank): Tin over Nickel
  - G: Gold over Nickel (Au:1u"Mating area)
  - G10: Gold over Nickel (Au:10u"Mating area)
  - G15: Gold over Nickel (Au:15u"Mating area)
  - G30: Gold over Nickel (Au:30u"Mating area)



**SPECIFICATIONS:**  
 Current Rating: 9.5A AC,DC  
 Voltage Rating: 600V AC,DC  
 Temperature Range: -40°C ~ +105°C  
 Contact Resistance: 10mΩ Max  
 Insulation Resistance: 1000MΩ Min  
 Withstanding Voltage: 1500V AC/minute  
 PIN Material: Copper Alloy/Tin over Nickel  
 Solder tabs: Brass/Tin over Nickel  
 Material: Nylon 9T, UL94V-0(Black)

| PIN SIGNAL | PIN NO.         |
|------------|-----------------|
| PWR PIN    | 1-6             |
| GND PIN    | 7-12            |
| S1         | CARD_PWR_STABLE |
| S2         | CARD_CBL_PRES#  |
| S3         | SENSE0          |
| S4         | DO NOT USF      |



Beijing Hongli Kungpeng International Trade Co., Ltd.

| Unit               | Scale       | Sheet      | TITLE   |
|--------------------|-------------|------------|---|
| mm                 | 2.5:1       | 1 of 1     | 3.00mm PITCH RIGHT-ANGLE DUAL ROW PCI-SIG 12VHPWR H+ BOX HEADER |
| DRWN               | CHK'D       | APPR       | DRAWING NO.   |
| Wenmin Luo         | Diankui Wan | Jack Yin   |   |
| General Tolerances |             |            | THIRD ANGLE PROJECTION  |
| A0                 | NEW RELEASE | 2022.03.30 | HLB-30-WRE-F-2x6P 23  |
| REV                | DESCRIPTION | DATE       |   |

REV A0