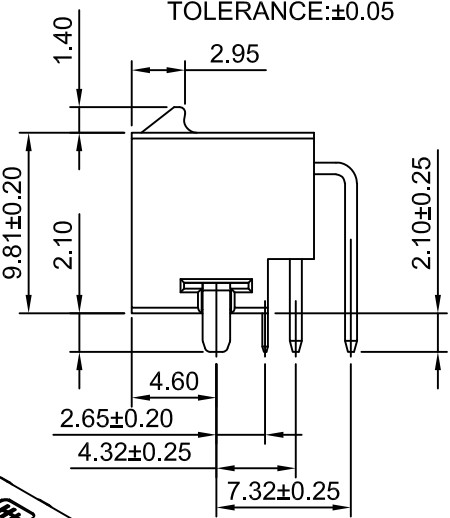
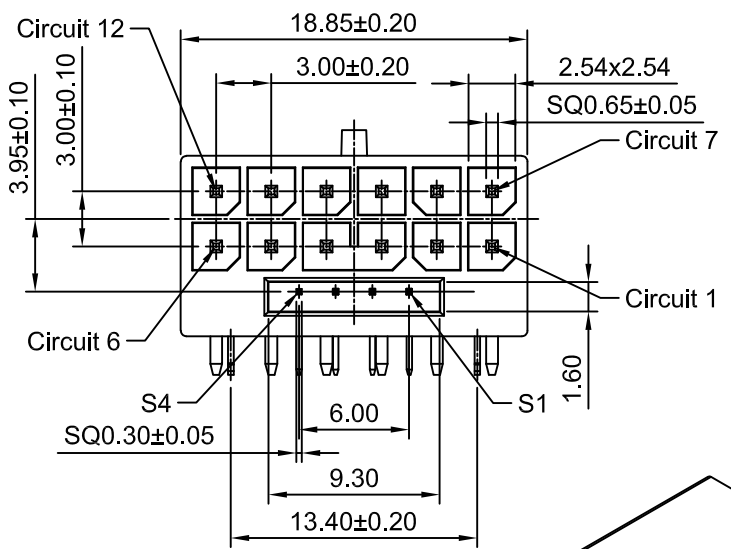


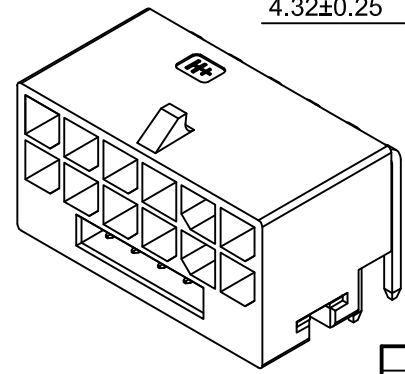
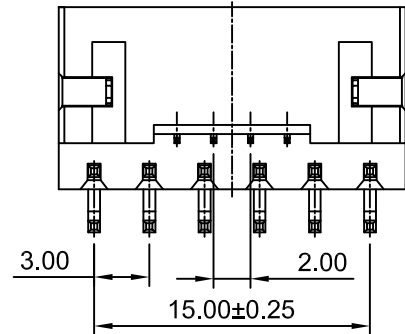
Ordering Information:
C3030WRE-F-2x6P-A - ***
 1 2

- 1.Part NO.
 2.Finish:
 (Blank): Tin over Nickel
 G: Gold over Nickel (Au:1u"Mating area)
 G10: Gold over Nickel (Au:10u"Mating area)
 G15: Gold over Nickel (Au:15u"Mating area)
 G30: Gold over Nickel (Au:30u"Mating area)



SPECIFICATIONS:
 Current Rating: 9.5A AC,DC
 Voltage Rating: 600V AC,DC
 Temperature Range: -40°C ~ +105°C
 Contact Resistance: 10mΩ Max
 Insulation Resistance: 1000MΩ Min
 Withstanding Voltage: 1500V AC/minute
 PIN Material: Copper Alloy/Tin over Nickel
 Solder tabs: Brass/Tin over Nickel
 Material: Nylon 9T,UL94V-0(Black)

| PIN SIGNAL | PIN NO. |
|------------|-----------------|
| PWR PIN | 1~6 |
| GND PIN | 7~12 |
| S1 | CARD_PWR_STABLE |
| S2 | CARD_CBL_PRES# |
| S3 | SENSE0 |
| S4 | DO NOT USF |



Beijing Hongli Kunpeng International Trade Co., Ltd.

| Unit | Scale | Sheet | TITLE |
|--------------------|-------------|------------|---|
| mm | 2.5:1 | 1 of 1 | 3.00mm PITCH RIGHT-ANGLE DUAL ROW PCI-SIG 12VHPWR H+ BOX HEADER |
| DRWN | CHK'D | APPR | |
| Wenmin Luo | Diankui Wan | Jack Yin | DRAWING NO. |
| General Tolerances | | | THIRD ANGLE PROJECTION |
| A0 | NEW RELEASE | 2022.03.30 | HLB-30-WRE-F-2x6P-A 22 |
| REV | DESCRIPTION | DATE | |

REV A0