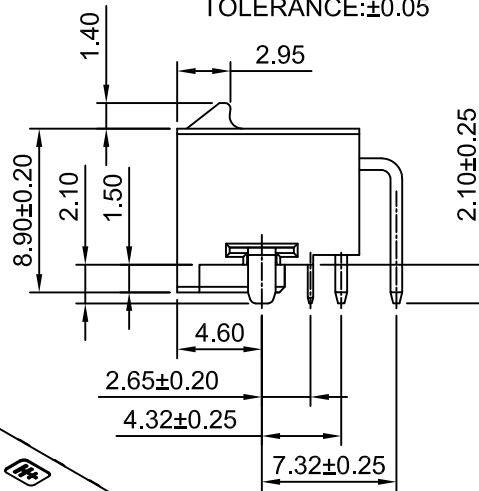
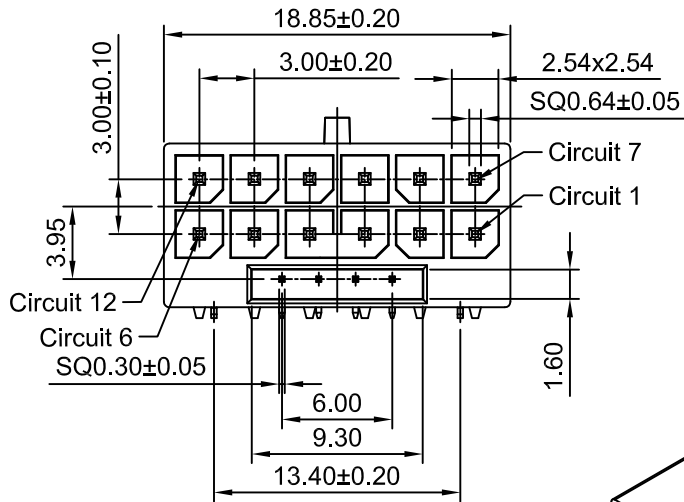


Ordering Information:
C3030WRE-F-2x6P-B - ***
 1 2

1.Part NO.
 2.Finish:

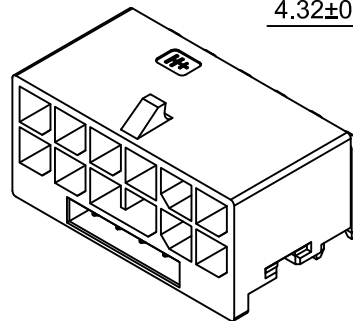
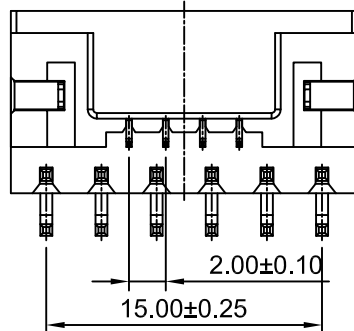
(Blank): Tin over Nickel
 G: Gold over Nickel (Au:1u"Mating area)
 G10: Gold over Nickel (Au:10u"Mating area)
 G15: Gold over Nickel (Au:15u"Mating area)
 G30: Gold over Nickel (Au:30u"Mating area)



SPECIFICATIONS:

Current Rating: 9.5A AC,DC
 Voltage Rating: 600V AC,DC
 Temperature Range: -40°C ~ +105°C
 Contact Resistance: 10mΩ Max
 Insulation Resistance: 1000MΩ Min
 Withstanding Voltage: 1500V AC/minute
 PIN Material: Copper Alloy
 Solder tabs: Brass/Tin over Nickel
 Material: Nylon 9T, UL94V-0(Black)

PIN SIGNAL	PIN NO.
PWR PIN	1~6
GND PIN	7~12
S1	CARD_PWR_STABLE
S2	CARD_CBL_PRES#
S3	SENSE0
S4	DO NOT USF



Beijing Hongli Kumpeng International Trade Co., Ltd.

Unit	Scale	Sheet	TITLE
mm	2.5:1	1 of 1	3.00mm PITCH RIGHT-ANGLE DUAL ROW PCI-SIG 12VHPWR H+ BOX HEADER
DRWN	CHK'D	APPR	DRAWING NO.
Wenmin Luo	Diankui Wan	Jack Yin	HLB-30-WRE-F-2x6P-B 21
General Tolerances	THIRD ANGLE PROJECTION		REV
x,xx±0.25			A0
x,xxx±0.20	NEW RELEASE	2022.03.30	
x,xxxx±0.15	DESCRIPTION	DATE	
ANGLES ±1°			