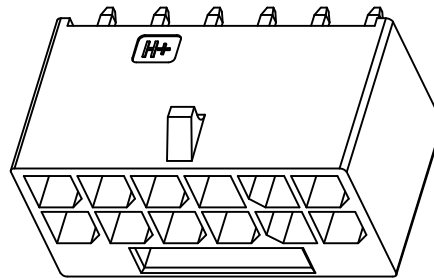
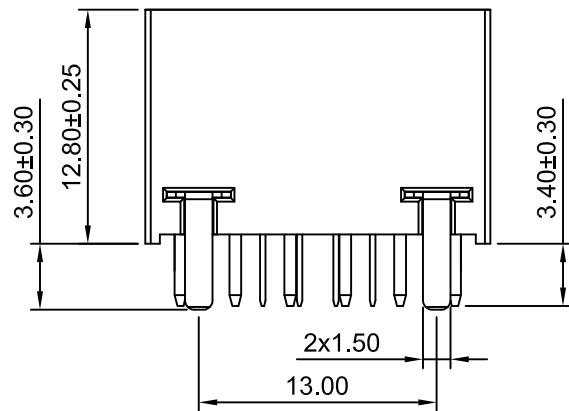
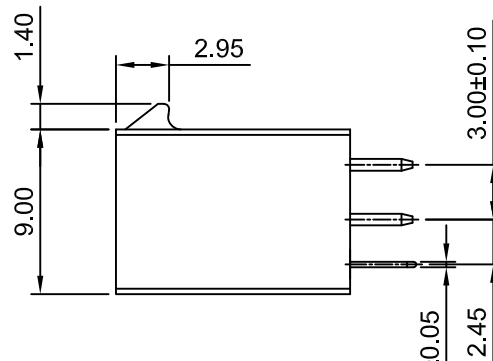
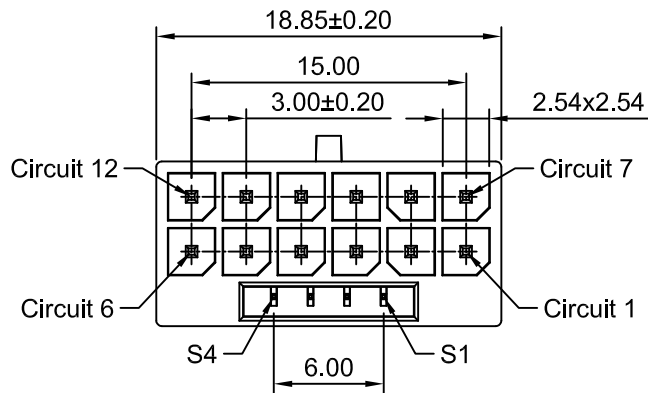


P.C.B LAYOUT
TOLERANCE:±0.05

Ordering Information:
C3030WVE-F-2x6P - ***

1. Part NO.
2. Finish:

- (Blank): Tin over Nickel
- G: Gold over Nickel (Au:1u"Mating area)
- G10: Gold over Nickel (Au:10u"Mating area)
- G15: Gold over Nickel (Au:15u"Mating area)
- G30: Gold over Nickel (Au:30u"Mating area)



SPECIFICATIONS:

- Current Rating: 9.5A AC,DC
- Voltage Rating: 600V AC,DC
- Temperature Range: -40°C ~ +105°C
- Contact Resistance: 10mΩ Max
- Insulation Resistance: 1000MΩ Min
- Withstanding Voltage: 1500V AC/minute
- PIN Material: Copper Alloy/Tin over Nickel
- Solder tabs: Brass/Tin over Nickel
- Material: Nylon 9T, UL94V-0(Black)

PIN SIGNAL	PIN NO.
PWR PIN	1~6
GND PIN	7~12
S1	CARD_PWR_STABLE
S2	CARD_CBL_PRES#
S3	SENSE0
S4	DO NOT USF

Beijing Hongli Kunpeng International Trade Co., Ltd.

Unit	Scale	Sheet	TITLE
mm	2.5:1	1 of 1	3.00mm PITCH VERTICAL DUAL ROW PCI-SIG 12VHPWR H+ BOX HEADER
DRWN	CHK'D	APPR	DRAWING NO. HLB-30-WVE-F-2x6P 8
Wenmin Luo	Diankui Wan	Jack Yin	
General Tolerances			THIRD ANGLE PROJECTION
A0	NEW RELEASE	2022.03.30	REV A0
REV	DESCRIPTION	DATE	