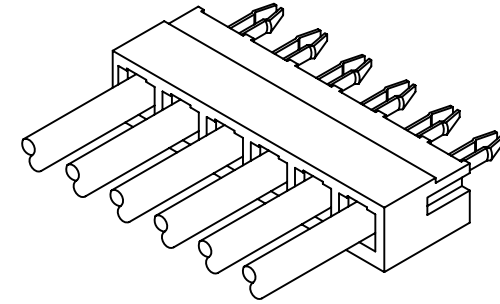


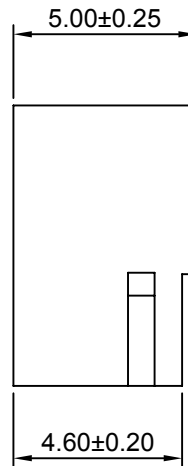
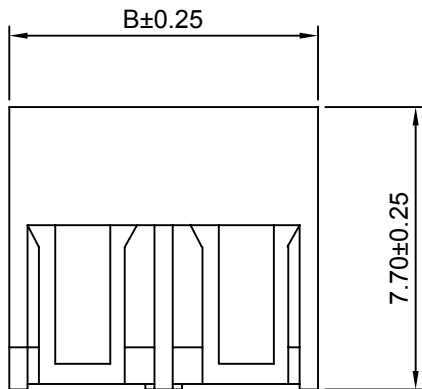
P.C.B LAYOUT



SPECIFICATIONS:

Current Rating: 7A AC,DC
 Voltage Rating: 300V AC,DC
 Temperature Range: -40°C ~ +105°C
 Contact Resistance: 20mΩ Max.
 Insulation Resistance: 1000MΩ Min.
 Withstanding Voltage: 1500V AC/minute
 Material: Nylon 66, UL94v-0 (White)

Ordering Information & Dimensions



Circuits	Dimensions(mm)		Circuits	Dimensions(mm)	
	A	B		A	B
2P	3.96	8.42	9P	31.68	36.34
3P	7.92	12.38	10P	35.64	40.10
4P	11.88	16.34	11P	39.60	44.06
5P	15.84	20.30	12P	43.56	48.02
6P	19.80	24.26	13P	47.52	51.98
7P	23.76	28.22	14P	51.48	55.94
8P	27.72	32.18	15P	55.44	59.90

Beijing Hongli Kunpeng International Trade Co., LTD

Unit mm	Scale 5:1	Sheet 1 of 1
Draw BY: Jack Yin	Approved : GONGYB	

Title :
3.96mm PITCH
HOUSING

REV	DESCRIPTION	DATE	General Tolerance	ANGLE±
A1	CHANGE THE SIZE	2014.04.30	x.xx≤0.25	
AO	NEW RELEEASE	2013.11.28	x.xxx≤0.20	
			x.xxxx≤0.15	

DRAW NO : HLB-51-H-XP 1 REV A1