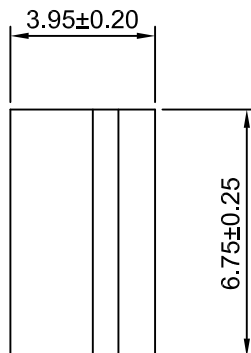
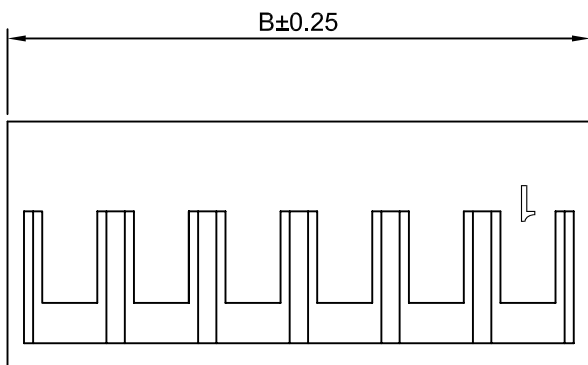
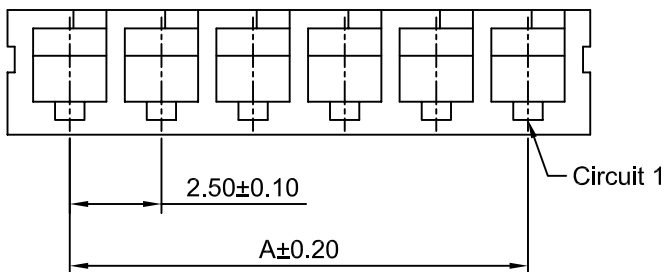
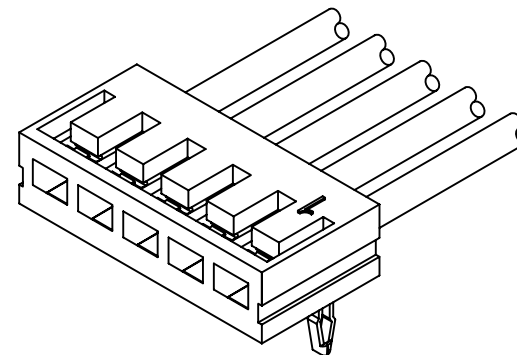
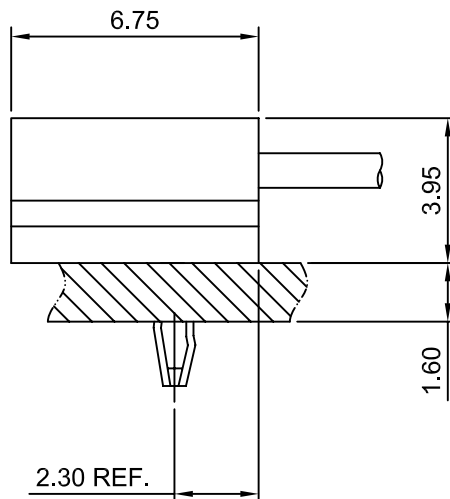


P.C.B LAYOUT



**SPECIFICATIONS:**

Current Rating: 3A AC,DC  
 Voltage Rating: 125V AC,DC  
 Temperature Range: -40°C ~ +105°C  
 Contact Resistance: 5mΩ Max  
 Insulation Resistance: 1000MΩ Min  
 Withstanding Voltage: 1000V AC/minute  
 Material: Nylon 66,UL94V-0 (White)

**Ordering Information & Dimensions**

| Circuits | Dimensions(mm) |       | Circuits | Dimensions(mm) |       |
|----------|----------------|-------|----------|----------------|-------|
|          | A              | B     |          | A              | B     |
| 2P       | 2.50           | 6.70  | 10P      | 22.50          | 26.70 |
| 3P       | 5.00           | 9.20  | 11P      | 25.00          | 29.20 |
| 4P       | 7.50           | 11.70 | 12P      | 27.50          | 31.70 |
| 5P       | 10.00          | 14.20 | 13P      | 30.00          | 34.20 |
| 6P       | 12.50          | 16.70 | 14P      | 32.50          | 36.70 |
| 7P       | 15.00          | 19.20 | 15P      | 35.00          | 39.20 |
| 8P       | 17.50          | 21.70 | 16P      | 37.50          | 41.70 |
| 9P       | 20.00          | 24.20 |          |                |       |

Beijing Hongli Kumpeng International Trade Co., Ltd.

|                  |                      |                 |
|------------------|----------------------|-----------------|
| Unit<br>mm       | Scale<br>5:1         | Sheet<br>1 of 1 |
| Draw BY:<br>LIZQ | Approved :<br>GONGYB |                 |

Title :  
**2.50mm PITCH  
HOUSING**

|                   |        |
|-------------------|--------|
| General Tolerance |        |
| x.x≤0.25          | ANGLE± |
| x.xx≤0.20         |        |
| x.xxx≤0.15        |        |

DRAW NO : HLB-13-H-XP 1      REV A0

|     |             |            |
|-----|-------------|------------|
| A0  | NEW RELEASE | 2005.05.10 |
| REV | DESCRIPTION | DATE       |