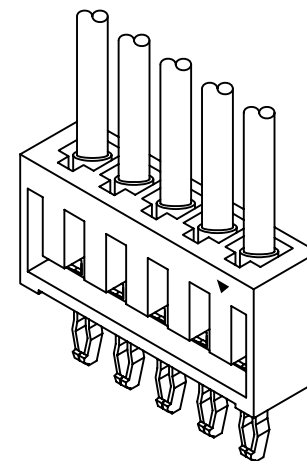


P.C.B LAYOUT



SPECIFICATIONS:

Current Rating: 3A AC,DC
 Voltage Rating: 250V AC,DC
 Temperature Range: -40°C ~ +105°C
 Contact Resistance: 10mΩ Max
 Insulation Resistance: 1000MΩ Min
 Withstanding Voltage: 1000V AC/minute
 Material: Nylon 66,UL94V-0 (White)

Ordering Information & Dimensions

| Circuits | Dimensions(mm) | | Circuits | Dimensions(mm) | |
|----------|----------------|-------|----------|----------------|-------|
| | A | B | | A | B |
| 2P | 2.50 | 6.70 | 10P | 22.50 | 26.70 |
| 3P | 5.00 | 9.20 | 11P | 25.00 | 29.20 |
| 4P | 7.50 | 11.70 | 12P | 27.50 | 31.70 |
| 5P | 10.00 | 14.20 | 13P | 30.00 | 34.20 |
| 6P | 12.50 | 16.70 | 14P | 32.50 | 36.70 |
| 7P | 15.00 | 19.20 | 15P | 35.00 | 39.20 |
| 8P | 17.50 | 21.70 | 16P | 37.50 | 41.70 |
| 9P | 20.00 | 24.20 | | | |

Beijing Hongli Kungpeng International Trade Co., LTD

| | | |
|----------|------------|--------|
| Unit | Scale | Sheet |
| mm | 5:1 | 1 of 1 |
| Draw BY: | Approved : | |
| LIZQ | GONGYB | |

| | |
|--------------|---------------|
| Title : | |
| 2.50mm PITCH | |
| HOUSING | |
| DRAW NO : | HLB-12-H-XP 2 |
| REV | A0 |

| | | |
|-------------------|--------------|------------|
| General Tolerance | | |
| | | ANGLE± |
| A0 | NEW RELEEASE | 2009.05.10 |
| REV | DESCRIPTION | DATE |

| | |
|------------|--------|
| x.x≤0.25 | ANGLE± |
| x.xx≤0.20 | |
| x.xxx≤0.15 | |