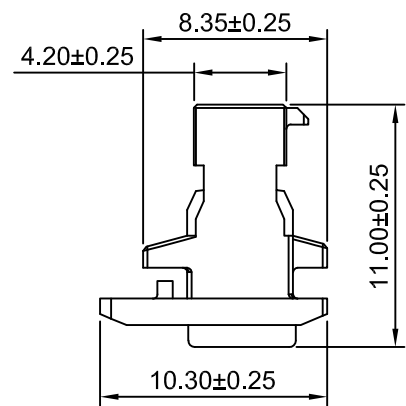
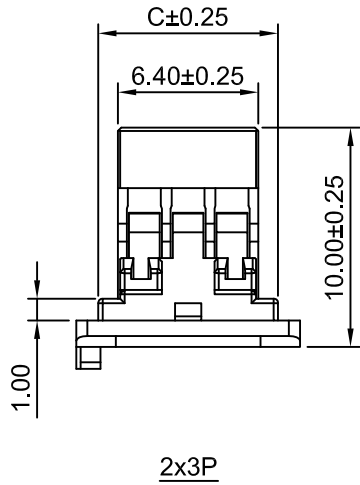
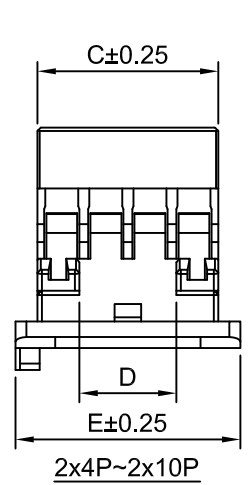


panel hole layout



**SPECIFICATIONS:**  
 Current Rating: 2A AC,DC  
 Voltage Rating: 250V AC,DC  
 Temperature Range: -40°C ~ +105°C  
 Contact Resistance: 20mΩ Max.  
 Insulation Resistance: 1000MΩ Min.  
 Withstanding Voltage: 500V AC/minute  
 Material: PBT,UL94V-0(Black)

Ordering Information & Dimensions

Circuits	Dimensions(mm)										
	A	B	C	D	E	F	G	H	J	K	L
2x3P	2.00	2.00	8.20	2.40	10.20	10.30	2.40	4.80	2.50	5.00	7.00
2x4P	2.00	2.00	8.20	4.40	10.20	11.20	2.40	5.60	2.50	5.00	8.80
2x5P	3.00	3.00	10.40	6.40	12.20	13.30	2.60	6.70	2.60	6.10	10.90
2x6P	4.00	4.00	12.40	8.40	14.20	15.30	2.60	7.70	2.60	7.10	12.90
2x7P	5.00	5.00	14.60	10.40	16.20	17.30	2.60	8.70	2.60	8.10	14.90
2x8P	6.00	6.00	16.40	12.40	18.20	19.30	2.60	9.70	2.60	9.10	16.90
2x9P	7.00	7.00	18.40	14.40	20.20	21.30	2.60	10.70	2.60	10.10	18.90
2x10P	8.00	8.00	20.40	16.40	22.20	23.30	2.60	11.70	2.60	11.10	20.90

Beijing Hongli Kumpeng International Trade Co., Ltd.			Title : <b>2.00mm Pitch</b> <b>Dual Row Housing</b>			
Unit mm	Scale 3:1	Sheet 1 of 2				
Draw BY: Tony Su	Approved : Jack Yin					
General Tolerance						
A0	NEW RELEASE	2015.10.16	x.x±0.25 x.xx±0.20 x.xxx±0.15	ANGLE±	DRAW NO : <b>HLB-05-HB-N-2xXP-G 106</b>	REV A0
REV	DESCRIPTION	DATE				