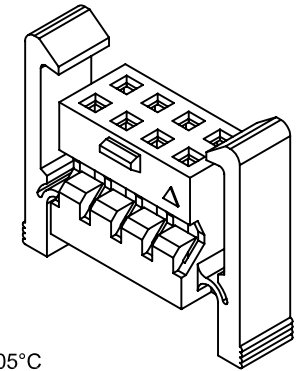


2x2P~2x6P

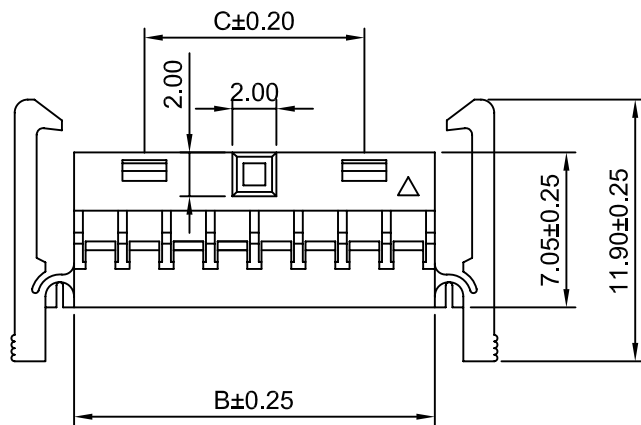


SPECIFICATIONS:

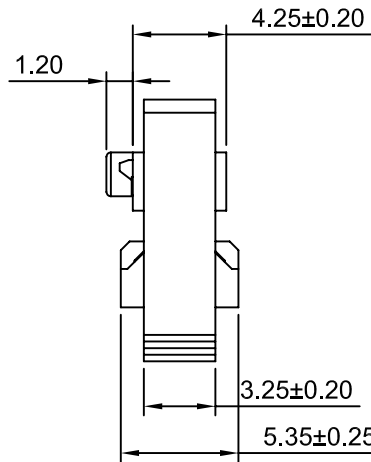
Current Rating: 2A AC,DC
 Voltage Rating: 250V AC,DC
 Temperature Range: -40°C ~ +105°C
 Contact Resistance: 20mΩ Max.
 Insulation Resistance: 1000MΩ Min.
 Withstanding Voltage: 500V AC/minute
 Material:Nylon 66,UL94V-0(Black)

Ordering Information & Dimensions

Circuits	Dimensions(mm)			Circuits	Dimensions(mm)		
	A	B	C		A	B	C
2x2P	2.00	4.35	----	2x14P	26.00	28.35	22.00
2x3P	4.00	6.35	----	2x15P	28.00	30.35	24.00
2x4P	6.00	8.35	----	2x16P	30.00	32.35	26.00
2x5P	8.00	10.35	----	2x17P	32.00	34.35	28.00
2x6P	10.00	12.35	----	2x18P	34.00	36.35	30.00
2x7P	12.00	14.35	8.00	2x19P	36.00	38.35	32.00
2x8P	14.00	16.35	10.00	2x20P	38.00	40.35	34.00
2x9P	16.00	18.35	12.00	2x21P	40.00	42.35	36.00
2x10P	18.00	20.35	14.00	2x22P	42.00	44.35	38.00
2x11P	20.00	22.35	16.00	2x23P	44.00	46.35	40.00
2x12P	22.00	24.35	18.00	2x24P	46.00	48.35	42.00
2x13P	24.00	26.35	20.00	2x25P	48.00	50.35	44.00



2x7P~2x25P



Beijing Hongli Kumpeng International Trade Co., Ltd.

Unit	Scale	Sheet
mm	3:1	1 of 1
Draw BY:	Approved :	
Tony Su	Jack Yin	

Title :
2.00mm PITCH
DUAL ROW HOUSING

			x.x≤0.25	ANGLE±
A0	NEW RELEASE	2017.10.31	x.xx≤0.20	
REV	DESCRIPTION	DATE	x.xxx≤0.15	

DRAW NO :
HLB-05-HC-2xXP 105 REV
 A0