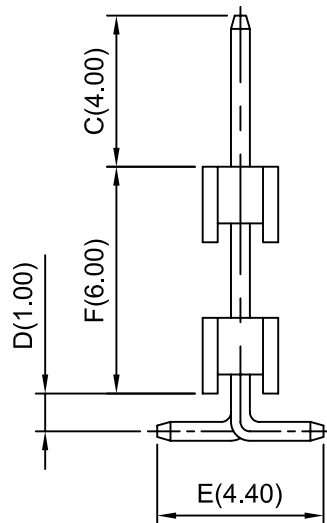
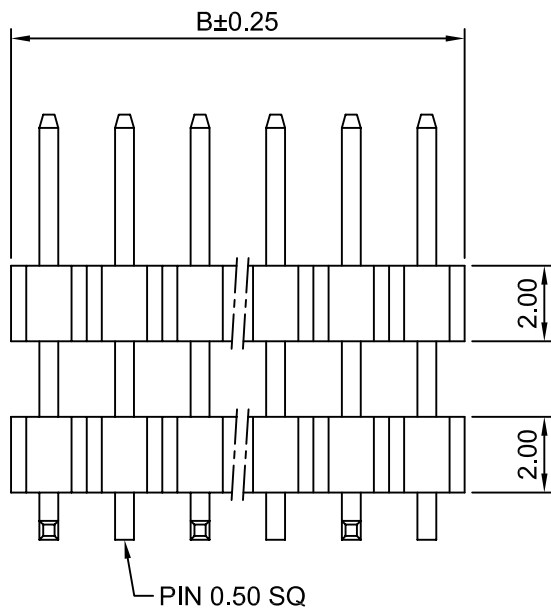


P.C.B LAYOUT



**SPECIFICATIONS:**

Current Rating: 2A AC,DC  
 Voltage Rating: 250V AC,DC  
 Temperature Range: -40°C ~ +105°C  
 Contact Resistance: 20mΩ Max.  
 Insulation Resistance: 1000MΩ Min.  
 Withstanding Voltage: 500V AC/minute  
 Pin Material: Brass/Gold over Nickel  
 Material: Nylon 6T,UL94V-0(Black)

Ordering Information & Dimensions

Circuits	Dim(mm)		Circuits	Dim(mm)		Circuits	Dim(mm)	
	A	B		A	B		A	B
2P	2.00	4.00	15P	28.00	30.00	28P	54.00	56.00
3P	4.00	6.00	16P	30.00	32.00	29P	56.00	58.00
4P	6.00	8.00	17P	32.00	34.00	30P	58.00	60.00
5P	8.00	10.00	18P	34.00	36.00	31P	60.00	62.00
6P	10.00	12.00	19P	36.00	38.00	32P	62.00	64.00
7P	12.00	14.00	20P	38.00	40.00	33P	64.00	66.00
8P	14.00	16.00	21P	40.00	42.00	34P	66.00	68.00
9P	16.00	18.00	22P	42.00	44.00	35P	68.00	70.00
10P	18.00	20.00	23P	44.00	46.00	36P	70.00	72.00
11P	20.00	22.00	24P	46.00	48.00	37P	72.00	74.00
12P	22.00	24.00	25P	48.00	50.00	38P	74.00	76.00
13P	24.00	26.00	26P	50.00	52.00	39P	76.00	78.00
14P	26.00	28.00	27P	52.00	54.00	40P	78.00	80.00

Beijing Hongli Kunpeng International Trade Co., Ltd.

Unit	Scale	Sheet
mm	5:1	1 of 1
Draw BY:		Approved :
LIZQ		GONGYB

Title :  
**2.00mm PITCH  
 180° SINGLE ROW PIN  
 HEADER - SMT TYPE**

General Tolerance	
x.xx≤0.25	ANGLE±
x.xx≤0.20	
x.xxx≤0.15	

DRAW NO : HLB-05-WVA-S-XP-B 96	REV A0
-----------------------------------	-----------

A0	NEW RELEEASE	2005.05.10
REV	DESCRIPTION	DATE