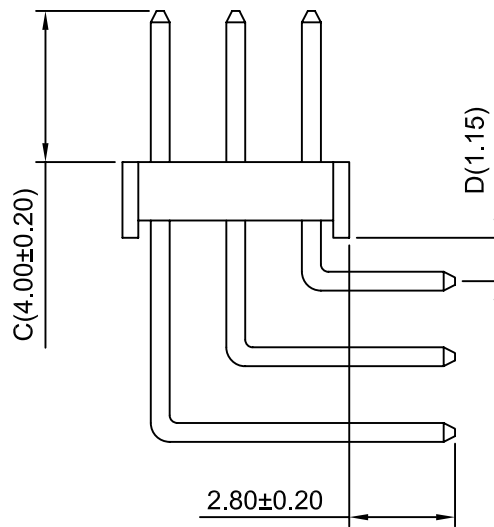
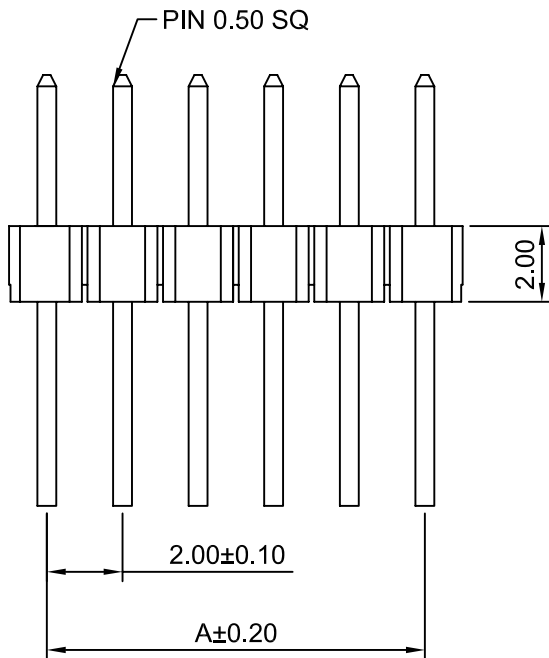


P.C.B LAYOUT



SPECIFICATIONS:

Current Rating: 2A AC,DC
 Voltage Rating: 250V AC,DC
 Temperature Range: -40°C ~ +105°C
 Contact Resistance: 20mΩ Max.
 Insulation Resistance: 1000MΩ Min.
 Withstanding Voltage: 500V AC/minute
 Pin Material: Brass/Gold over Nickel
 Material: Nylon 6T,UL94V-0(Black)

Ordering Information & Dimensions

Circuits	Dim(mm)		Circuits	Dim(mm)		Circuits	Dim(mm)	
	A	B		A	B		A	B
3x2P	2.00	4.00	3x15P	28.00	30.00	3x28P	54.00	56.00
3x3P	4.00	6.00	3x16P	30.00	32.00	3x29P	56.00	58.00
3x4P	6.00	8.00	3x17P	32.00	34.00	3x30P	58.00	60.00
3x5P	8.00	10.00	3x18P	34.00	36.00	3x31P	60.00	62.00
3x6P	10.00	12.00	3x19P	36.00	38.00	3x32P	62.00	64.00
3x7P	12.00	14.00	3x20P	38.00	40.00	3x33P	64.00	66.00
3x8P	14.00	16.00	3x21P	40.00	42.00	3x34P	66.00	68.00
3x9P	16.00	18.00	3x22P	42.00	44.00	3x35P	68.00	70.00
3x10P	18.00	20.00	3x23P	44.00	46.00	3x36P	70.00	72.00
3x11P	20.00	22.00	3x24P	46.00	48.00	3x37P	72.00	74.00
3x12P	22.00	24.00	3x25P	48.00	50.00	3x38P	74.00	76.00
3x13P	24.00	26.00	3x26P	50.00	52.00	3x39P	76.00	78.00
3x14P	26.00	28.00	3x27P	52.00	54.00	3x40P	78.00	80.00

Beijing Hongli Kunpeng International Trade Co., Ltd.

Unit	Scale	Sheet
mm	5:1	1 of 1
Draw BY:		Approved :
Tony Su		Jack Yin

Title :
2.00mm PITCH 90°
TRIPLE ROW PIN HEADER

A0	NEW RELEASE	2017.11.20
REV	DESCRIPTION	DATE

General Tolerance	
x.xx±0.25	ANGLE±
x.xx±0.20	
x.xxx±0.15	

DRAW NO :
HLB-05-WR-3xXP 33 REV
 A0