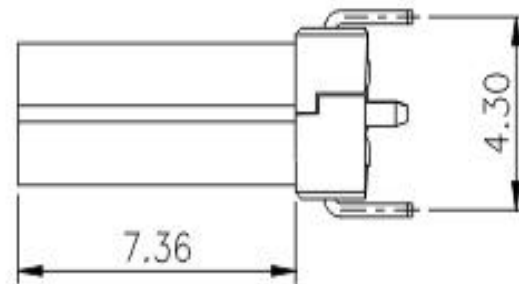
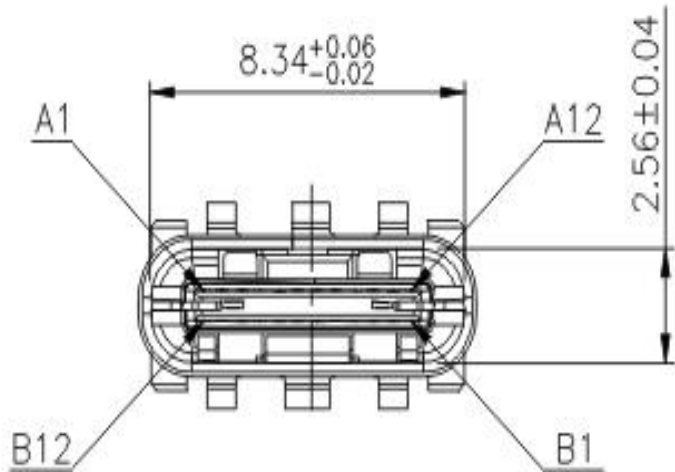


RECOMMENDED P.C.B LAYOUT TOP VIEW (COMPONENT SIDE DIM'±0.05)



北京鸿利鲲鹏国际贸易有限公司



TYPE-C Female SMT 180 ° 24P(H=9.20)

Current Rating : 3.0 Ampere

Insulation Resistance : 100 M Min

Dielectric Withstanding : 100 V

Contact Resistance : 40 m Max

Mating Force : 5~20N

Unmating Force: 8~20N

Durability : 10000 Cycles