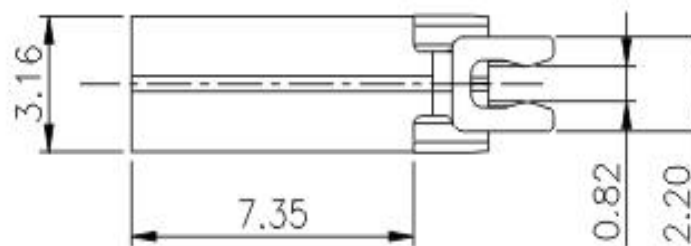
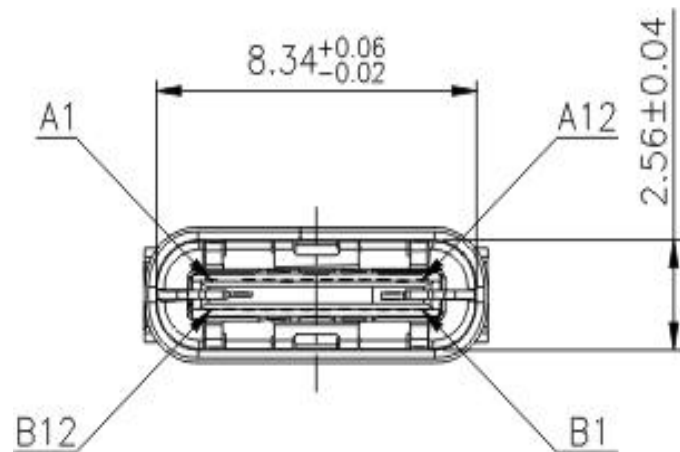


RECOMMENDED P.C.B LAYOUT TOP VIEW
(COMPONENT SIDE DIM ±0.05)



- TYPE-C Female Splint 24P(H=9.30)
- Current Rating : 3.0 Ampere
- Insulation Resistance : 100 M Min
- Dielectric Withstanding : 100 V
- Contact Resistance : 40 m Max
- Mating Force : 5~20N
- Unmating Force: 8~20N
- Durability : 10000 Cycles