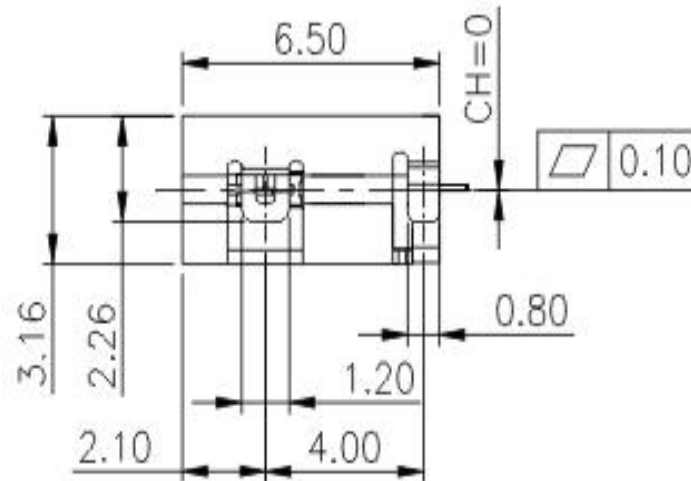
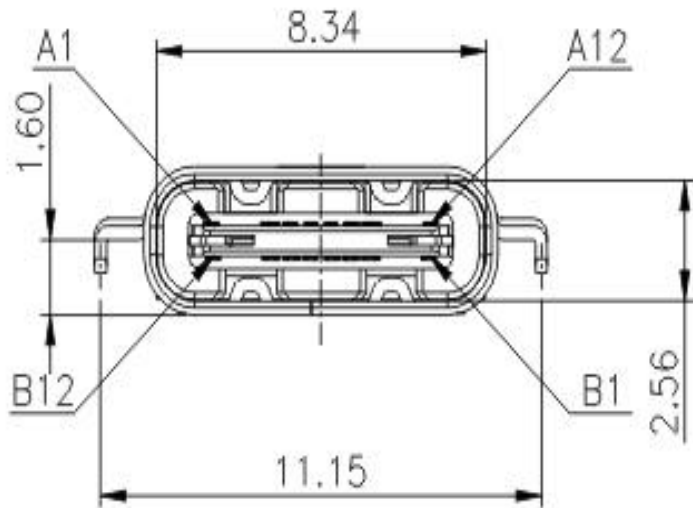


RECOMMENDED P.C.B LAYOUT TOP VIEW  
(COMPONENT SIDE DIM ±0.05)



**TYPE-C Female Single Row SMT 90° 16P(CH=0mm)**

Current Rating : 3.0 Ampere

Insulation Resistance : 100 M Min

Dielectric Withstanding : 100 V

Contact Resistance : 40 m Max

Mating Force : 5~20N

Unmating Force: 8~20N

Durability : 10000 Cycles