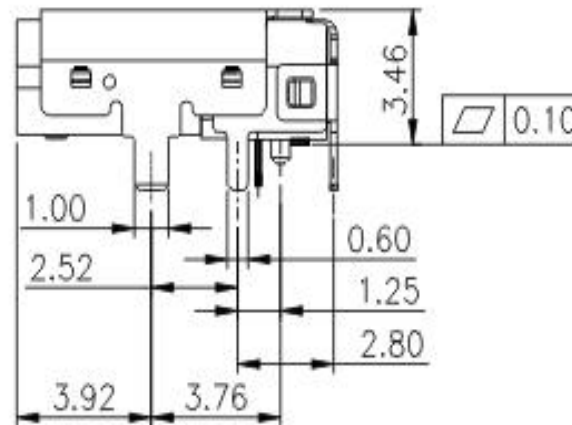
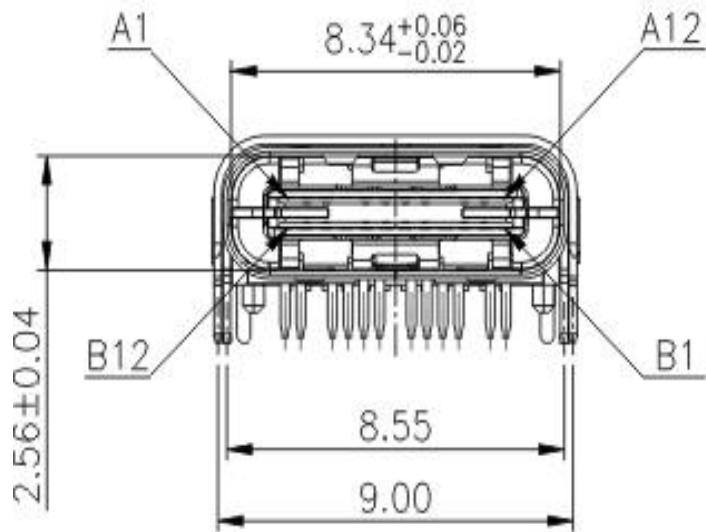


RECOMMENDED P.C.B LAYOUT TOP VIEW  
(COMPONENT SIDE DIM'±0.05)



北京鸿利 有限公司

TYPE-C Female DIP+SMT 90° 24P  
Current Rating : 3.0 Ampere

Insulation Resistance : 100 M  
Min

Dielectric Withstanding : 100 V

Contact Resistance : 40 m Max

Mating Force : 5~20N

Unmating Force: 8~20N

Durability : 10000 Cycles