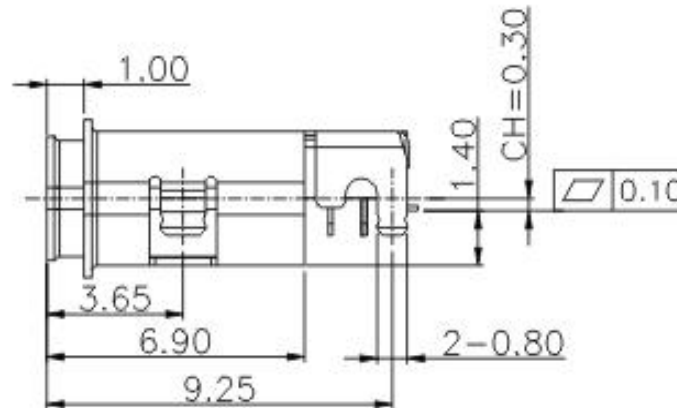
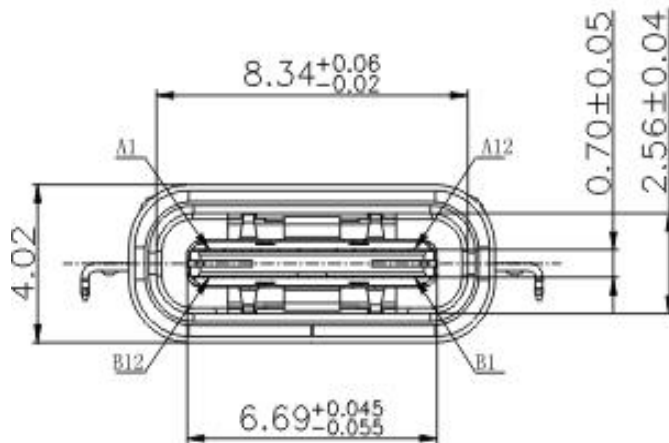


RECOMMENDED P.C.B LAYOUT(Both sides are sample)
Tolerance:±0.05,Thickness=0.60mm



TYPE-C Female Water-Proof(IPX7)
90° 24P(CH=0.3mm)
Current Rating : 3.0 Ampere

Insulation Resistance : 100 M
Min

Dielectric Withstanding : 100 V

Contact Resistance : 40 m Max

Mating Force : 5~20N

Unmating Force: 8~20N

Durability : 10000 Cycles