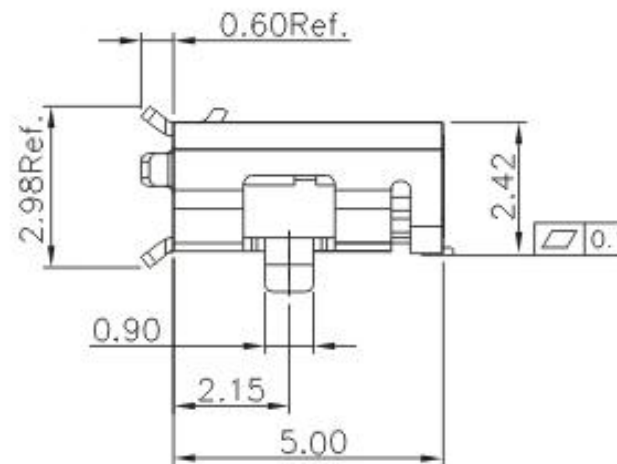
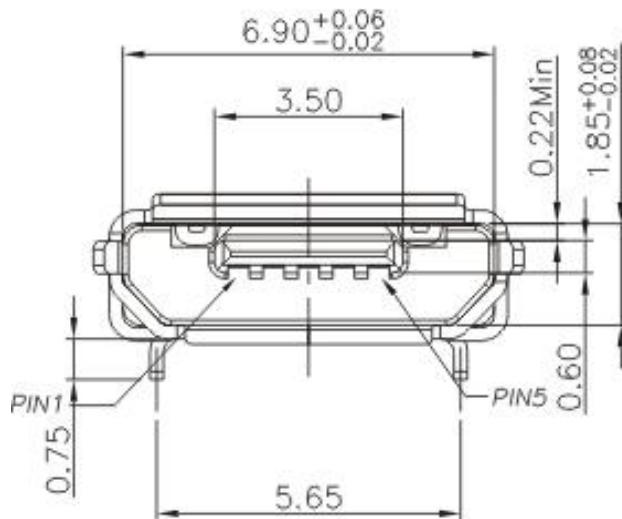


RECOMMENDED PCB LAYOUT(TOP VIEW)
GENERAL TOLERANCES:±0.05



MICRO USB Type B female SMT 90°
Rated current:1.5 amps

Insulation resistance:Minimum
100 M

Dielectric tolerance:100 volts

Contact resistance:Max. 50 m

Inserting and pulling force:
Max 35N

Drawing force:Minimum 10N

Durability:10000 cycles