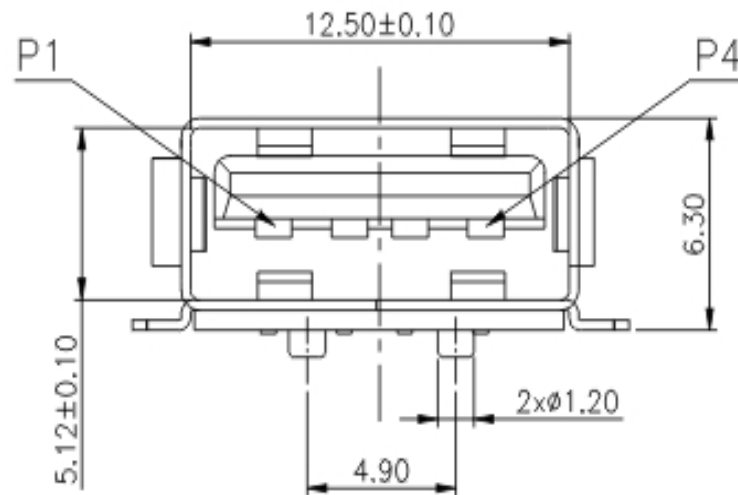
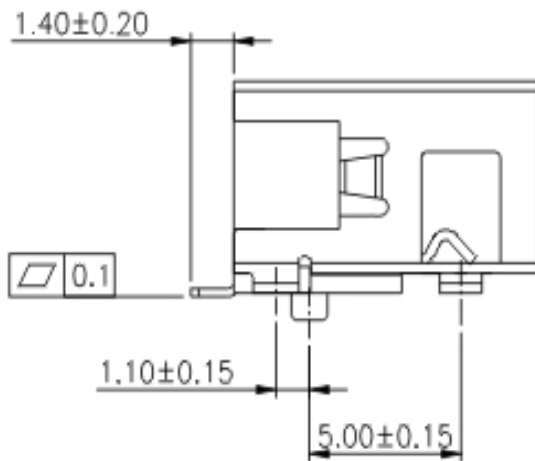


RECOMMENDED P.C.B LAYOUT TOP VIEW
(COMPONENT SIDE DIM'±0.05)



北京鸿利坤鹏国际贸易有限公司



MICRO USB Type B female SMT 180

Rated current: 1.5 amps

Insulation resistance: Minimum 100 M

Dielectric tolerance: 100 volts

Contact resistance: Max. 50 m

Inserting and pulling force: Max 35N

Drawing force: Minimum 10N

Durability: 10000 cycles