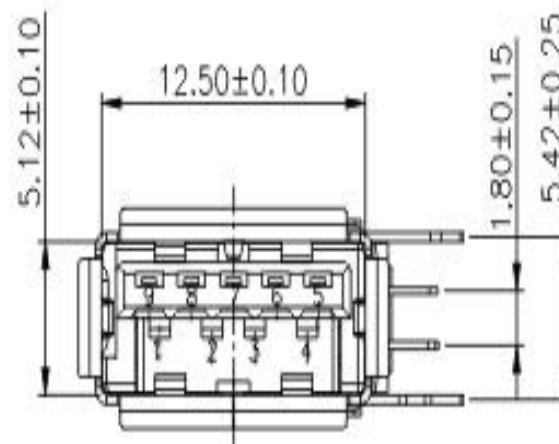
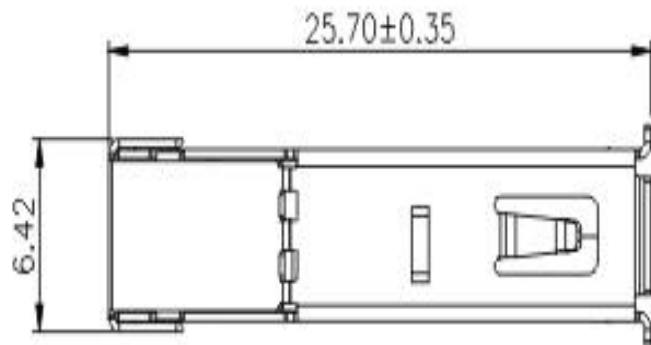
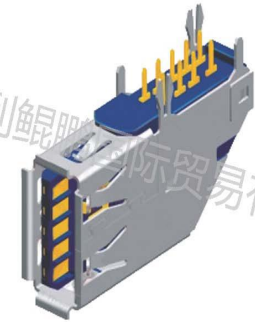


RECOMMENDED P.C.B LAYOUT TOP VIEW
(COMPONENT SIDE DIM ±0.05)



北京鸿利鲲鹏国际
贸易有限公司



USB A Type Female Side Entry DIP 90

- Current Rating : 1.5 Ampere
- Insulation Resistance : 1000 M Min
- Dielectric Withstanding : 500 V
- Contact Resistance : 30 m Max
- Mating Force : 35N Max
- Unmating Force: 10N Min
- Durability : 1500 Cycles