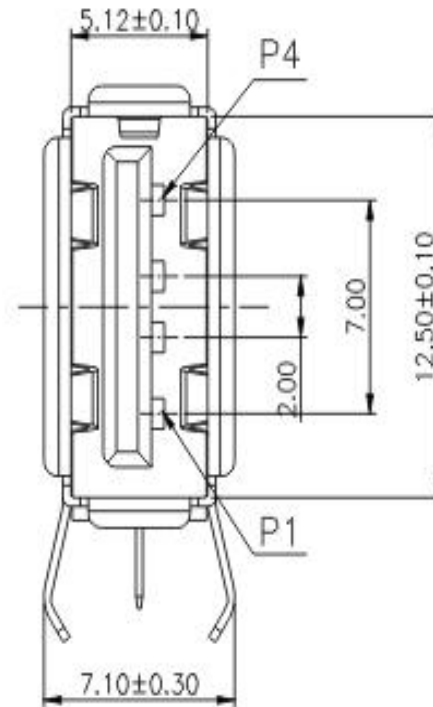
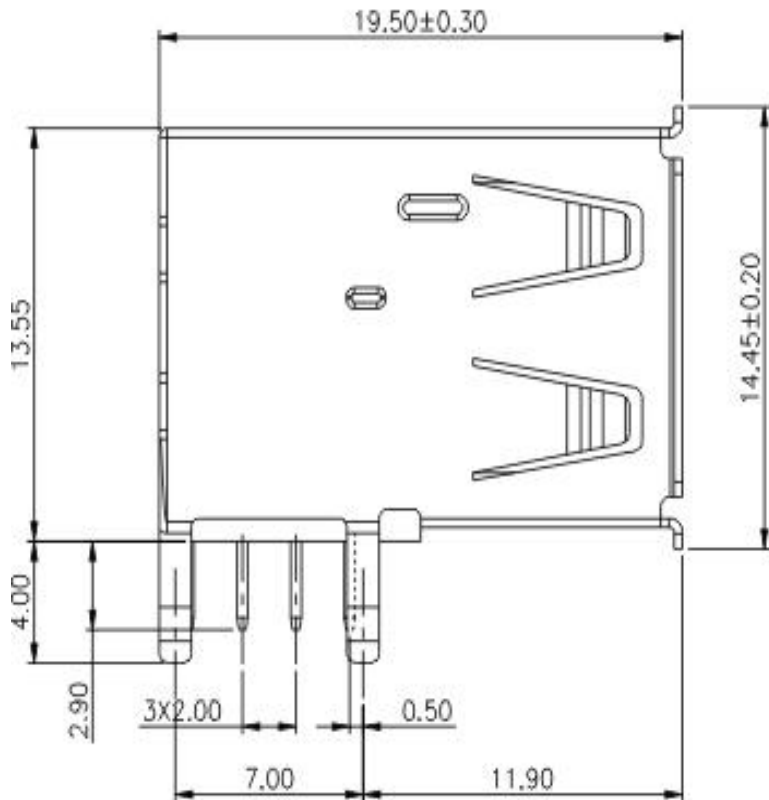
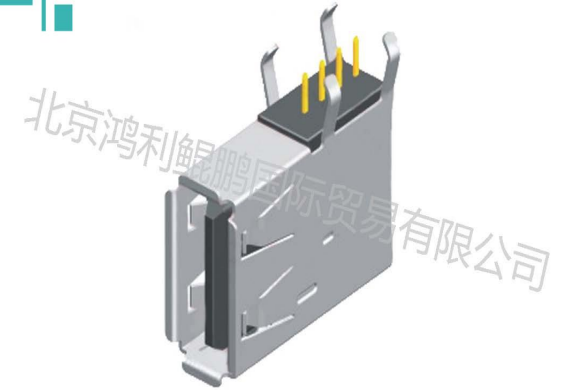


RECOMMENDED P.C.B LAYOUT TOP VIEW
(COMPONENT SIDE DIM'±0.05)



USB A Type Female Side Entry DIP 90

Current Rating : 1.5 Ampere

Insulation Resistance : 1000 M Min

Dielectric Withstanding : 500 V

Contact Resistance : 30 m Max

Mating Force : 35N Max

Unmating Force: 10N Min

Durability : 1500 Cycles