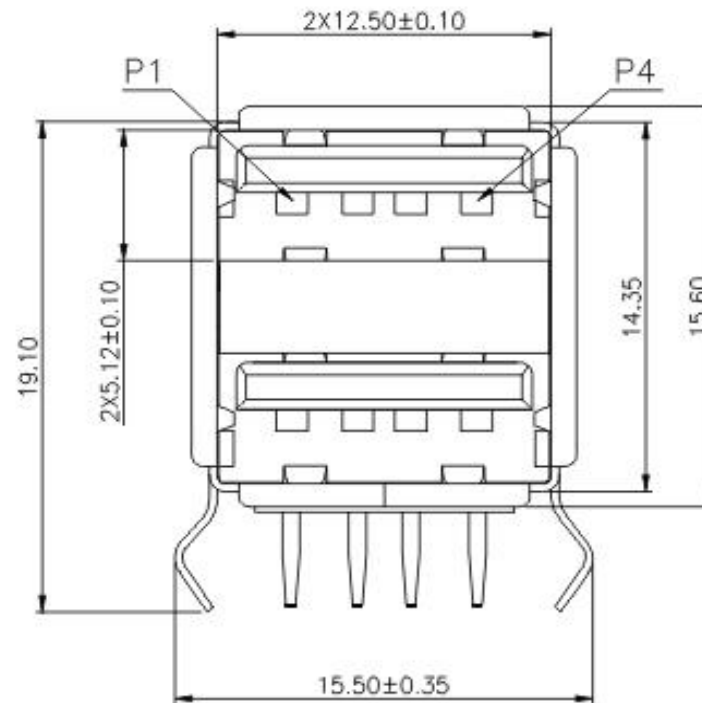


RECOMMENDED P.C.B LAYOUT TOP VIEW  
(COMPONENT SIDE DIM'±0.05)



### USB A Type Female Dual Port DIP 90°

- Current Rating : 1.5 Ampere
- Insulation Resistance : 1000 M Min
- Dielectric Withstanding : 500 V
- Contact Resistance : 30 m Max
- Mating Force : 35N Max
- Unmating Force: 10N Min
- Durability : 1500 Cycles