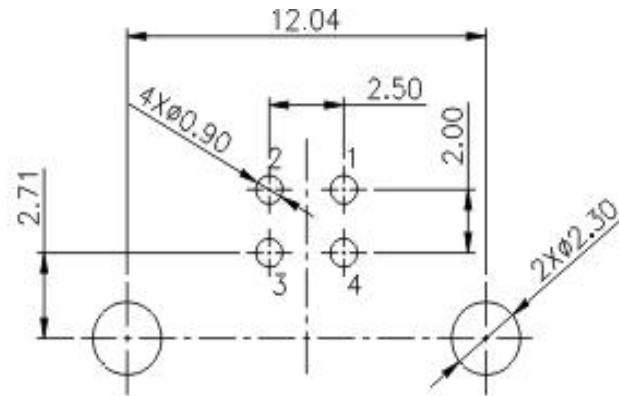
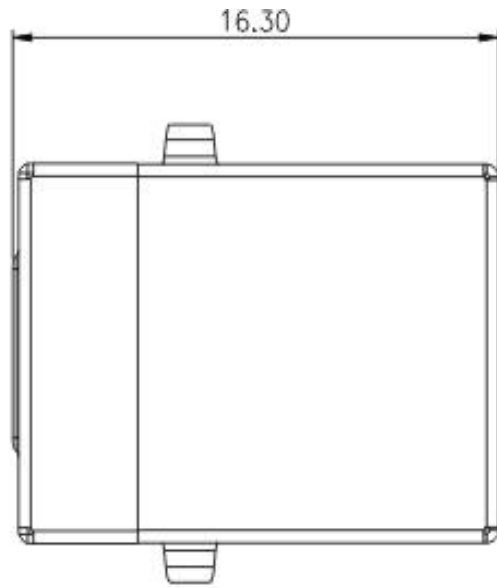
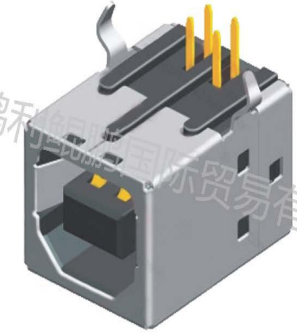
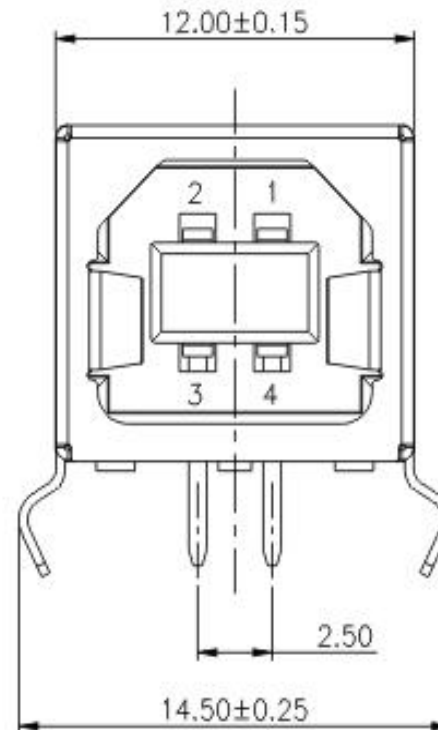
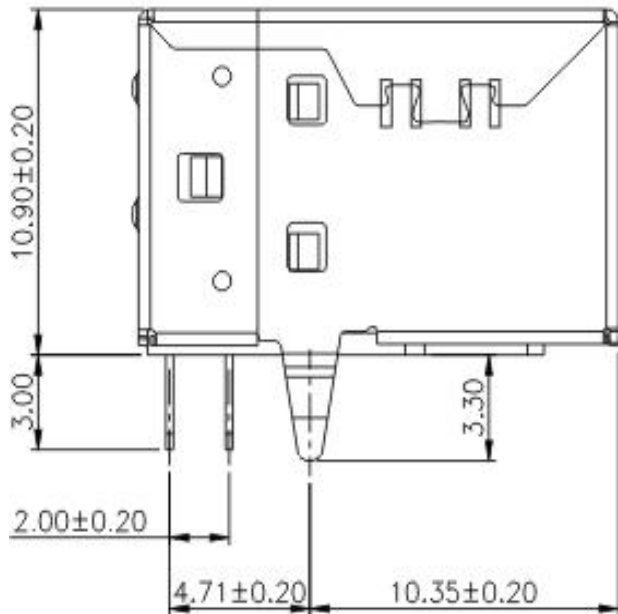




北京鸿利坤鹏国际贸易有限公司



RECOMMENDED P.C.B LAYOUT TOP VIEW
(COMPONENT SIDE DIM ±0.05)



USB B Type Female DIP 90 °

Current Rating : 1.5 Ampere

Insulation Resistance : 1000 M Min

Dielectric Withstanding : 500 V

Contact Resistance : 30 m Max

Mating Force : 35N Max

Unmating Force: 10N Min

Durability : 1500 Cycles