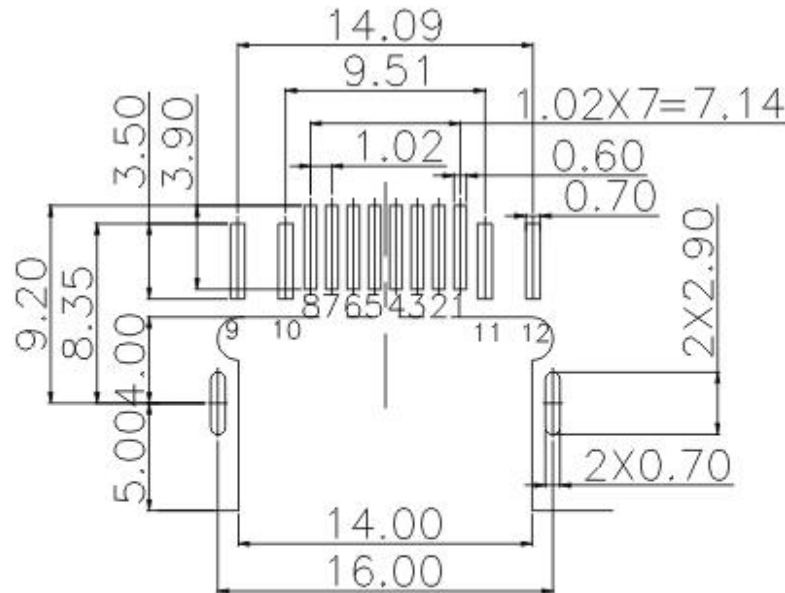
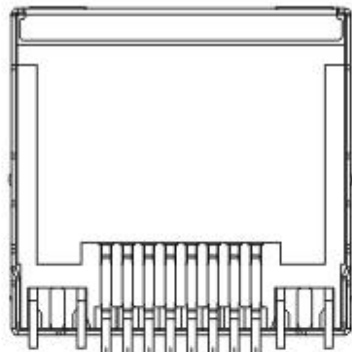
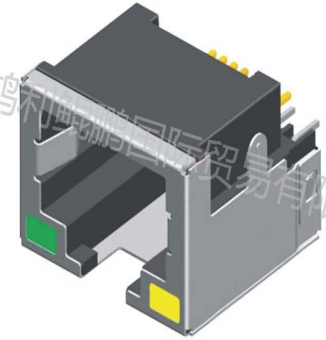


北京鸿利坤鹏国际贸易有限公司



Recommended PCB Layout
(PCB TOLERANCE±0.05)

Single Port, Shielded, With LED,
SMT Type

Current Rating : 1.5 Ampere

Insulation Resistance : 1000 M
Min

Dielectric Withstanding : 1000 V

Contact Resistance : 30 m Max

Mating Force : 30N Max

Unmating Force: 50N Min

Durability : 750 Cycles