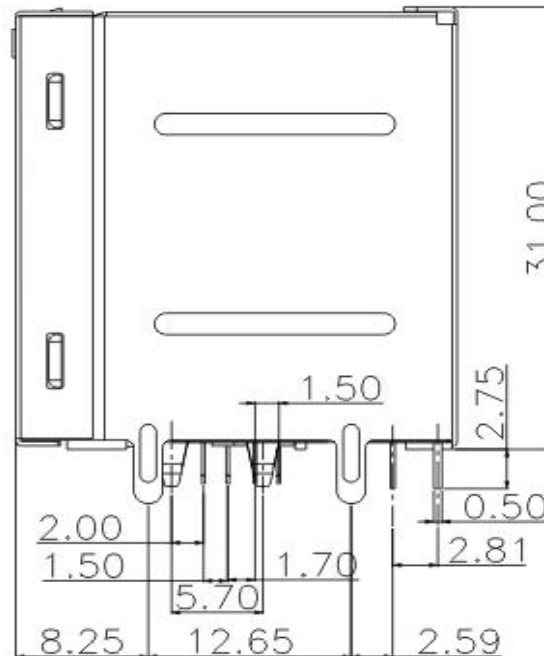
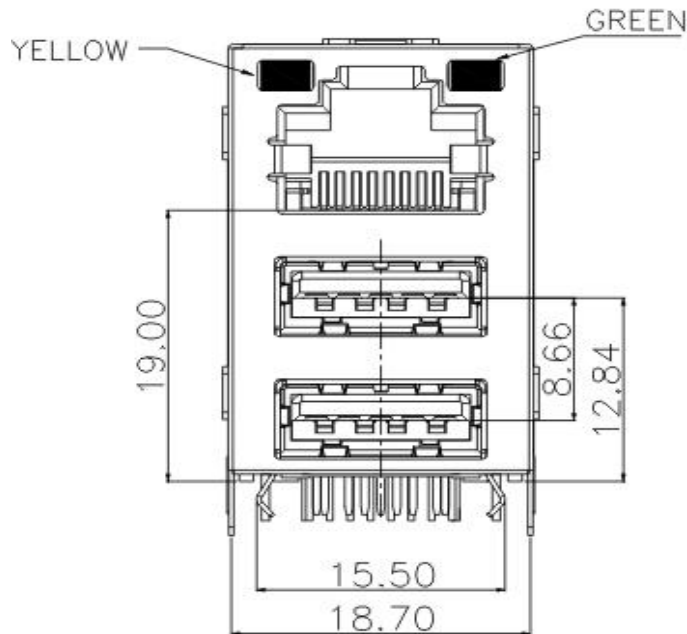
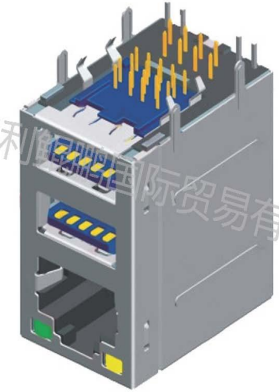


Recommended PCB Layout  
(PCB TOLERANCE±0.05)



北京鸿利昆鹏国际贸易有限公司



Rj 45 with 2 Port USB3.0, Shielded, With LED, R/A Type

Current Rating : 1.5 Ampere

Insulation Resistance : 1000 M Min

Dielectric Withstanding : 1000 V

Contact Resistance : 30 m Max

Mating Force : 30N Max

Unmating Force: 50N Min

Durability : 750 Cycles