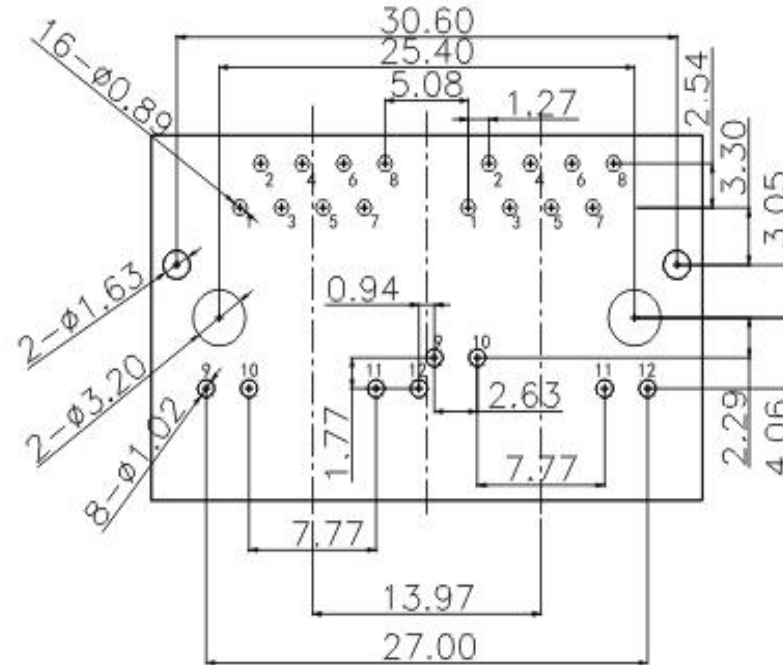
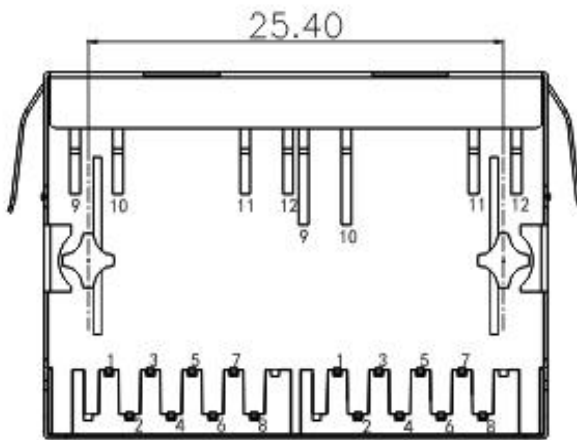
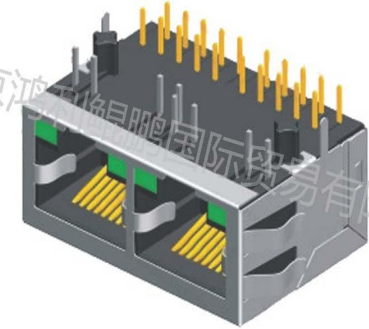


北京鸿利鲲鹏国际贸易有限公司



Recommended PCB Layout  
(PCB TOLERANCE±0.05)

1X2 Port, TAB-Down(21.1), R/A  
Type

Current Rating : 1.5 Ampere

Insulation Resistance : 1000 M  
Min

Dielectric Withstanding : 1500 V

Contact Resistance : 30 m Max

Mating Force : 30N Max

Unmating Force: 50N Min

Durability : 750 Cycles