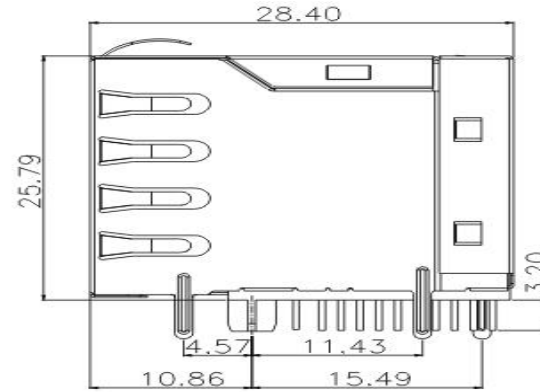
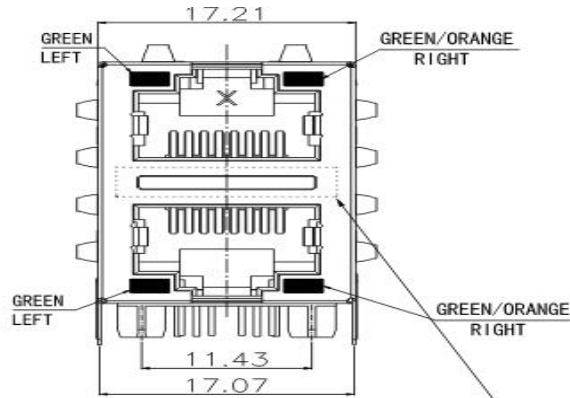
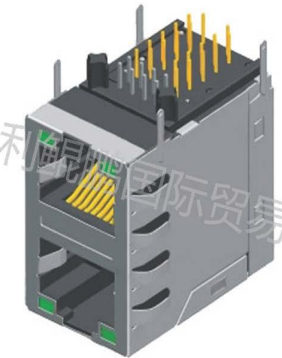
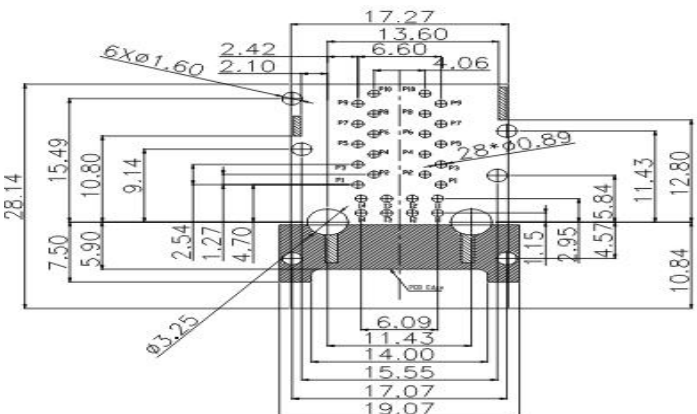




北京鸿利国际贸易有限公司



① 3M adhesive will be stuck on the plastic housing surface where the arrow points  
 ② The area width is 3.5mm, temperature-resist grade is 150°C



Recommended PCB Layout (PCB TOLERANCE ±0.05)

2X1 Port(28.4), R/A Type  
 Current Rating : 1.5 Ampere

Insulation Resistance : 1000 M Min

Dielectric Withstanding : 1500 V

Contact Resistance : 30 m Max

Mating Force : 30N Max

Unmating Force: 50N Min

Durability : 750 Cycles