



High Voltage Boost Converter (DC-DC)

1 Main feature

- ◆ 93% efficiency
- ◆ Internal integration 80mΩ power MOS
- ◆ 1.2MHz fixed frequency
- ◆ 2.2V-16V input voltage
- ◆ The output voltage is adjustable
- ◆ Internal 2.5A current limit
- ◆ Internal compensation
- ◆ Maximum output voltage 16V

2 Typical application

- ◆ Battery equipment
- ◆ LCD bias
- ◆ Set-top box
- ◆ Router
- ◆ PCI card driver and PCI slot

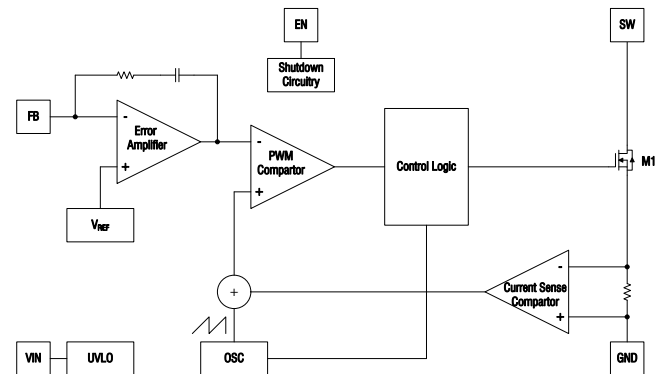
3 Product description

The HL3608L is a fixed frequency, internal soft start with a small pulse current to extend battery life. The HL3608L 1.2MHz conversion frequency allows for the use of small and low-cost capacitors, inductance heights can be less than 2mm,

5 Parameter list

	Input voltage range	Maximum input peak current	Static current	Turn-off current	Soft-start capacitance	Switching tube impedance	Encapsulation form
HL3608L	2.2V~16V	2.5A	100uA	0.1uA	No	80mΩ	SOT23-6

and the HL3608L automatically switches to pulse frequency modulation mode at light loads. The HL3608L has undervoltage lock, current limiting and thermal overload protection.



4 Product highlights

- ◆ Less external components can reach the peak input current 2.5A
- ◆ Built-in compensation circuit
- ◆ With complete overtemperature protection function
- ◆ With excellent soft start function