



High voltage step-down Synchronous Converter (DC-DC)

1 Main features:

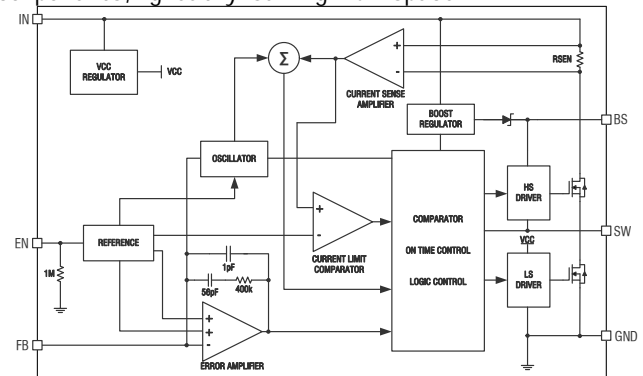
- ◆ The conversion efficiency can reach 95%
- ◆ Reference voltage 0.6V
- ◆ 1A current output
- ◆ Very low standby current: 5uA
- ◆ 600KHz fixed frequency
- ◆ The transient response of linear load has a good current control mode
- ◆ 4.5V-40V Input voltage
- ◆ Integrated internal compensation
- ◆ Short circuit protection
- ◆ Internal failure protection
- ◆ Pulse current limit and soft start

2 Typical application

- ◆ Wireless and DSL modems
- ◆ Portable devices
- ◆ Routing
- ◆ Set-top box
- ◆ Security
- ◆ Digital TV

3 Product description

The HL2445AD is a highly integrated, high efficiency synchronous buck DC-DC converter with 4.5V-40V wide voltage input current up to 2A. The HL2445AD has two operating modes, PFM control and PWM mode conversion control, to operate with high efficiency under a wide range of output current loads. HL2445AD peripheral circuit requires fewer components, greatly saving PCB space.



4 Product highlights

- ◆ Input voltage up to 40V
- ◆ 5uA standby current.
- ◆ It has complete protection functions such as over-voltage, over-temperature and so on.
- ◆ With excellent soft start function

5 Compare with similar products

	Input voltage range	Maximum output current	Static current	Turn-off current	Soft-start capacitance	Switching tube impedance	Encapsulation Form
ETA2845	5V~38V	0.4A	850uA	1uA	No	/	SOT23-6
HL2445AD	4.5V~40V	1A	5uA	0.1uA	No	90 mΩ/70mΩ	SOT23-6