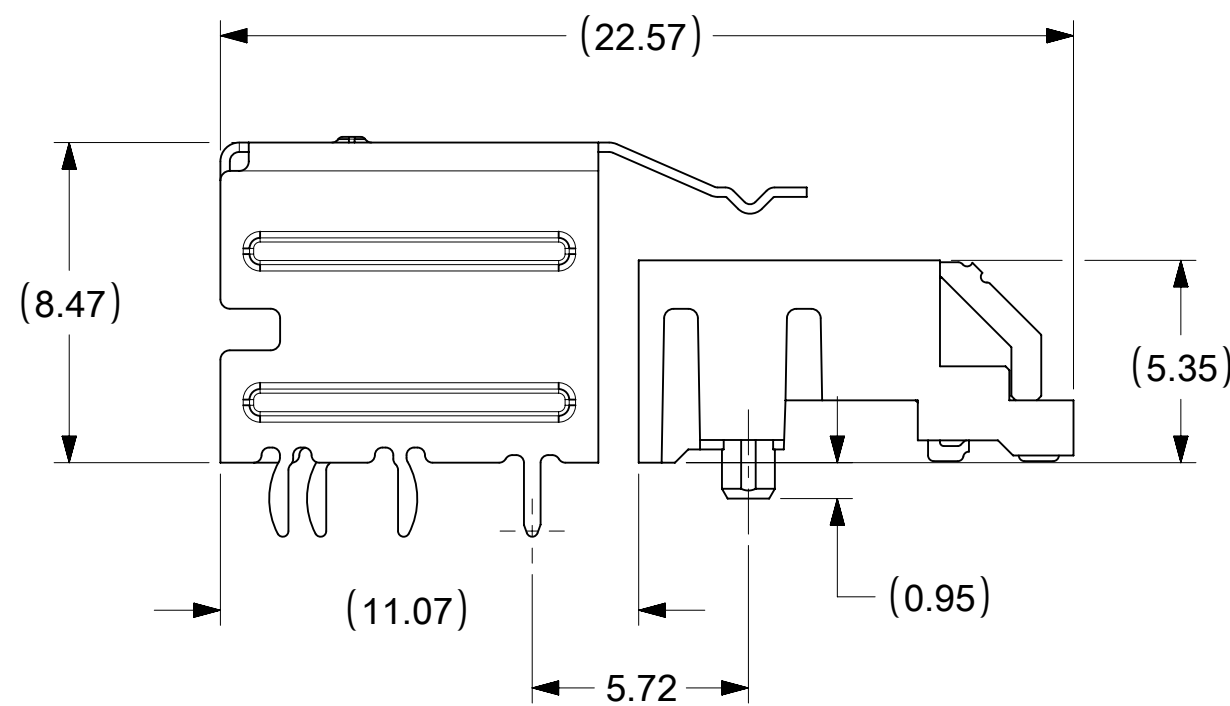
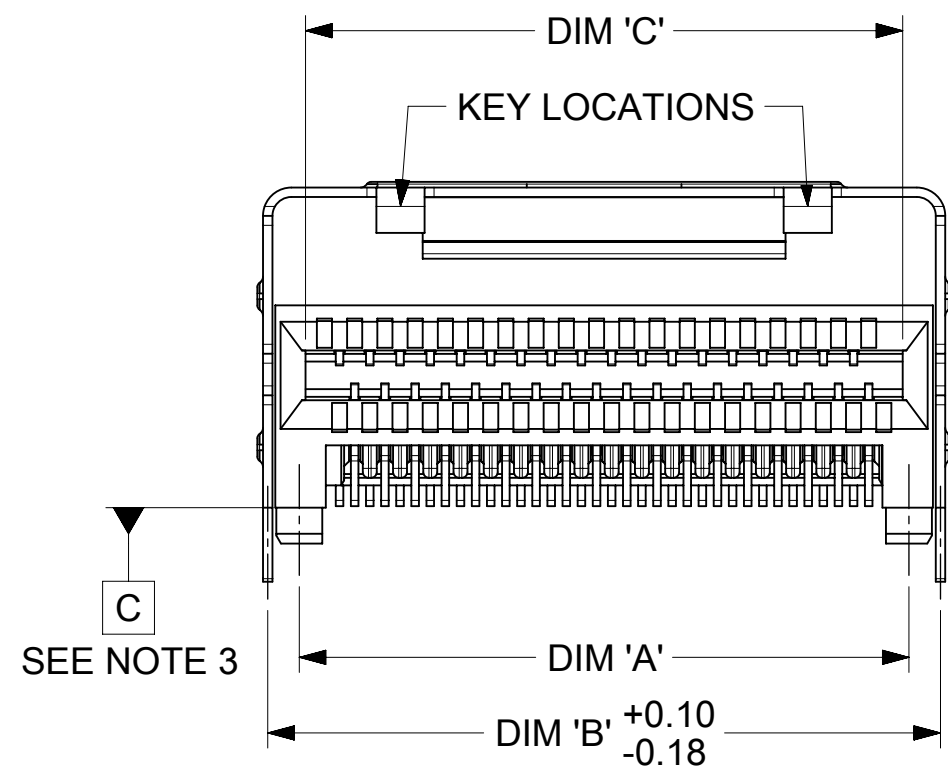


NOTES:

- MATERIAL:
CONNECTOR:
HOUSING - HIGH TEMPERATURE THERMOPLASTIC GLASS FILLED, UL 94V-0, BLACK
TERMINALS - COPPER ALLOY
SHELL
SILVER NICKEL, C770, THICKNESS: 0.250/0.254
- FINISH:
CONNECTOR
OPTION 1
CONTACT AREA - 0.38µm MIN GOLD OVER 2.54 µm NICKEL
SOLDER FOOT AREA - 2.54-5.09µm TIN OVER 1.27 µm NICKEL
OPTION 2
CONTACT AREA - 0.76µm MIN GOLD OVER 2.54 µm NICKEL
SOLDER FOOT AREA - 2.54-5.09µm TIN OVER 1.27 µm NICKEL
- TERMINAL SOLDER FEET TO BE COPLANAR WITHIN 0.10 MEASURED FROM FRONT HOUSING STAND OFF (DATUM C)
- DATE CODE: 4 DIGIT (3 DIGIT DAY, 1 DIGIT YEAR) CONNECTOR ONLY
- CIRCUIT IDENTIFIER: SEE APPROPRIATE INDUSTRY SPECIFICATION FOR LOCATION OF PIN 1.
- TO BE USED WITH THE FOLLOWING CABLE SERIES:
79575/74563/79576/74573/79536/74562/74586
- PACKAGED PER PACKAGING SPECIFICATION: PK-75783-001
- CONFORMS TO PRODUCT SPECIFICATION: PS-75783-001
- PROCESS PER APPLICATION SPECIFICATION: AS-75783-001
- THIS PART CONFORMS TO CLASS C REQUIREMENTS OF COSMETIC SPEC PS-45499-002

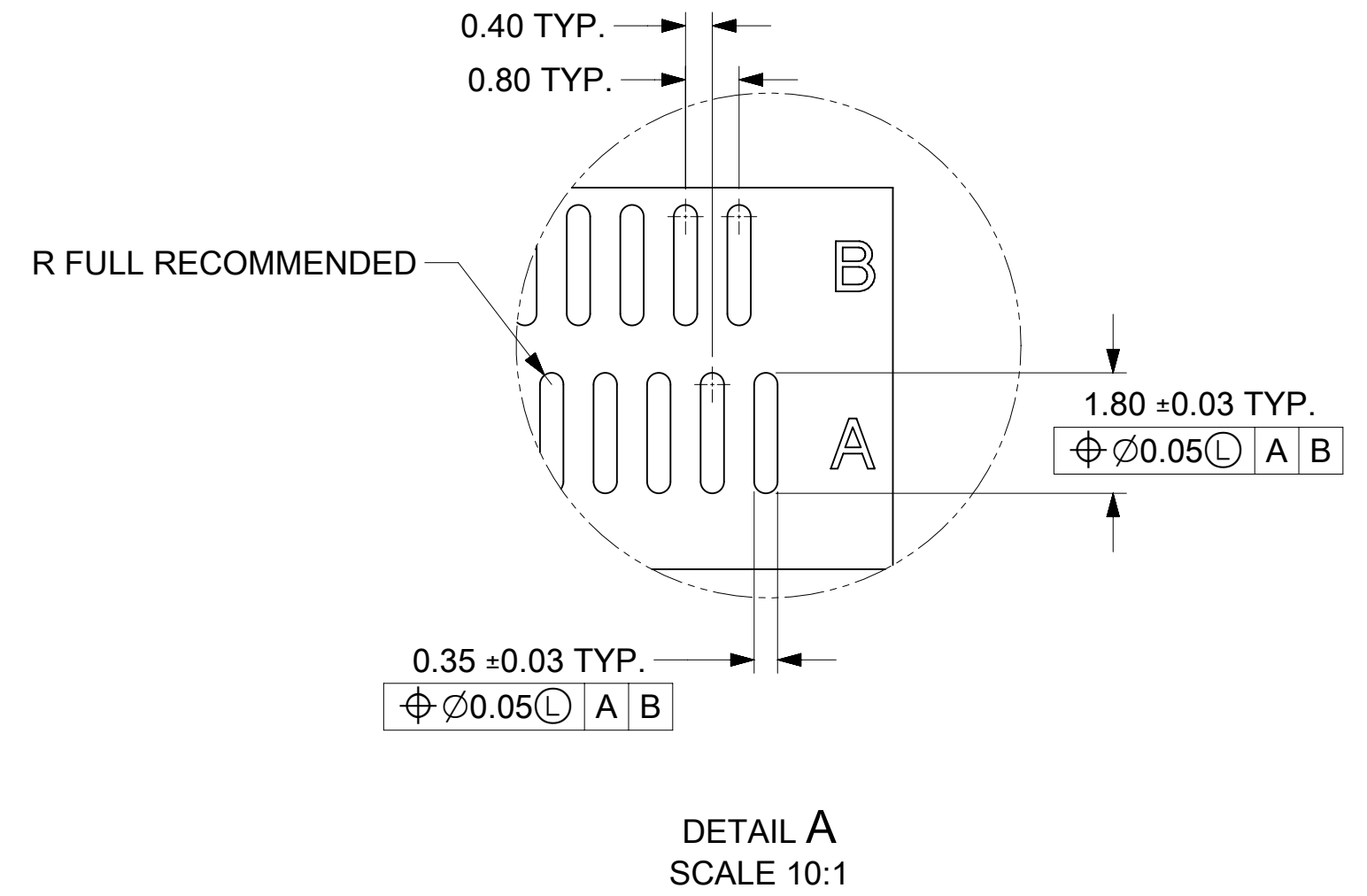
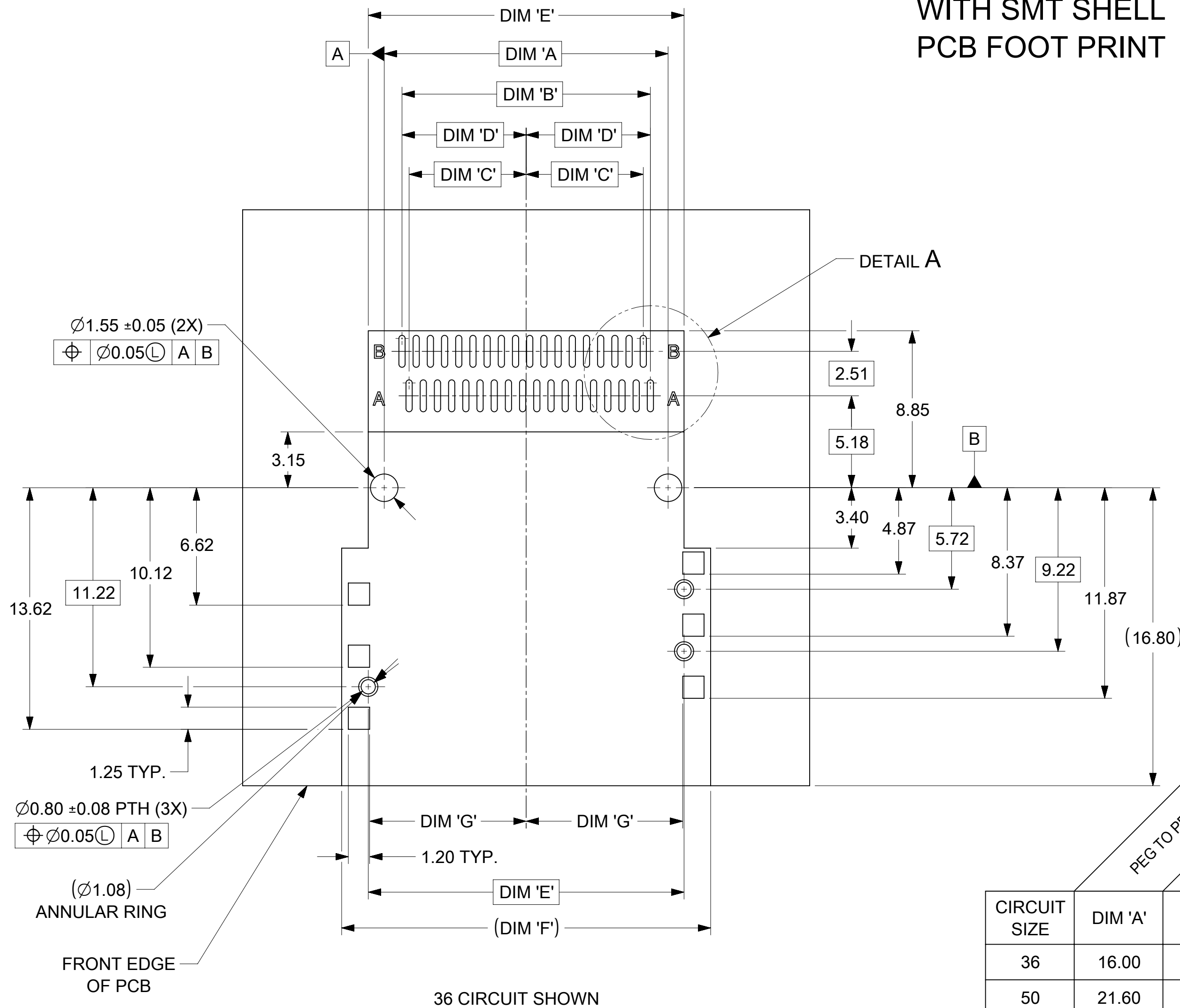


36 CIRCUIT
RETENTION FIT
SHELL OPTION SHOWN

CIRCUIT SIZE	DIM 'A'	DIM 'B'	DIM 'C'
36	16.00	17.80	15.80
50	21.60	23.40	21.40
68	28.80	30.60	28.60

THIS DRAWING CONTAINS INFORMATION THAT IS PROPRIETARY TO MOLEX ELECTRONIC TECHNOLOGIES, LLC AND SHOULD NOT BE USED WITHOUT WRITTEN PERMISSION									
DIMENSION UNITS	SCALE	CURRENT REV DESC: REMOVED OBSOLETE PART NUMBERS AS PER PCN#511683.							
mm	5:1								
GENERAL TOLERANCES (UNLESS SPECIFIED)		EC NO: 755035			I-PASS R/A CONNECTOR INTERNAL ASSY W/SHELL 0.8MM PITCH I/O				
ANGULAR TOL ± 0.5°		DRWN: ANIKES1 2023/03/30							
4 PLACES ±		CHK'D: GGA 2023/06/29			PRODUCT CUSTOMER DRAWING				
3 PLACES ±		APPR: GGA 2023/06/29							
2 PLACES ± 0.13		INITIAL REVISION:			DOCUMENT NUMBER SD-75783-001				
1 PLACE ± 0.25		DRWN: KLANG 2005/04/15							
0 PLACES ±		APPR: RNELSON 2005/04/18			DOC TYPE		DOC PART		REVISION
DRAFT WHERE APPLICABLE MUST REMAIN WITHIN DIMENSIONS		THIRD ANGLE PROJECTION		DRAWING	SERIES	MATERIAL NUMBER	CUSTOMER		SHEET NUMBER
				C-SIZE	75783	SEE TABLE	GENERAL MARKET		1 OF 12

RIGHT ANGLE CONNECTOR WITH SMT SHELL PCB FOOT PRINT

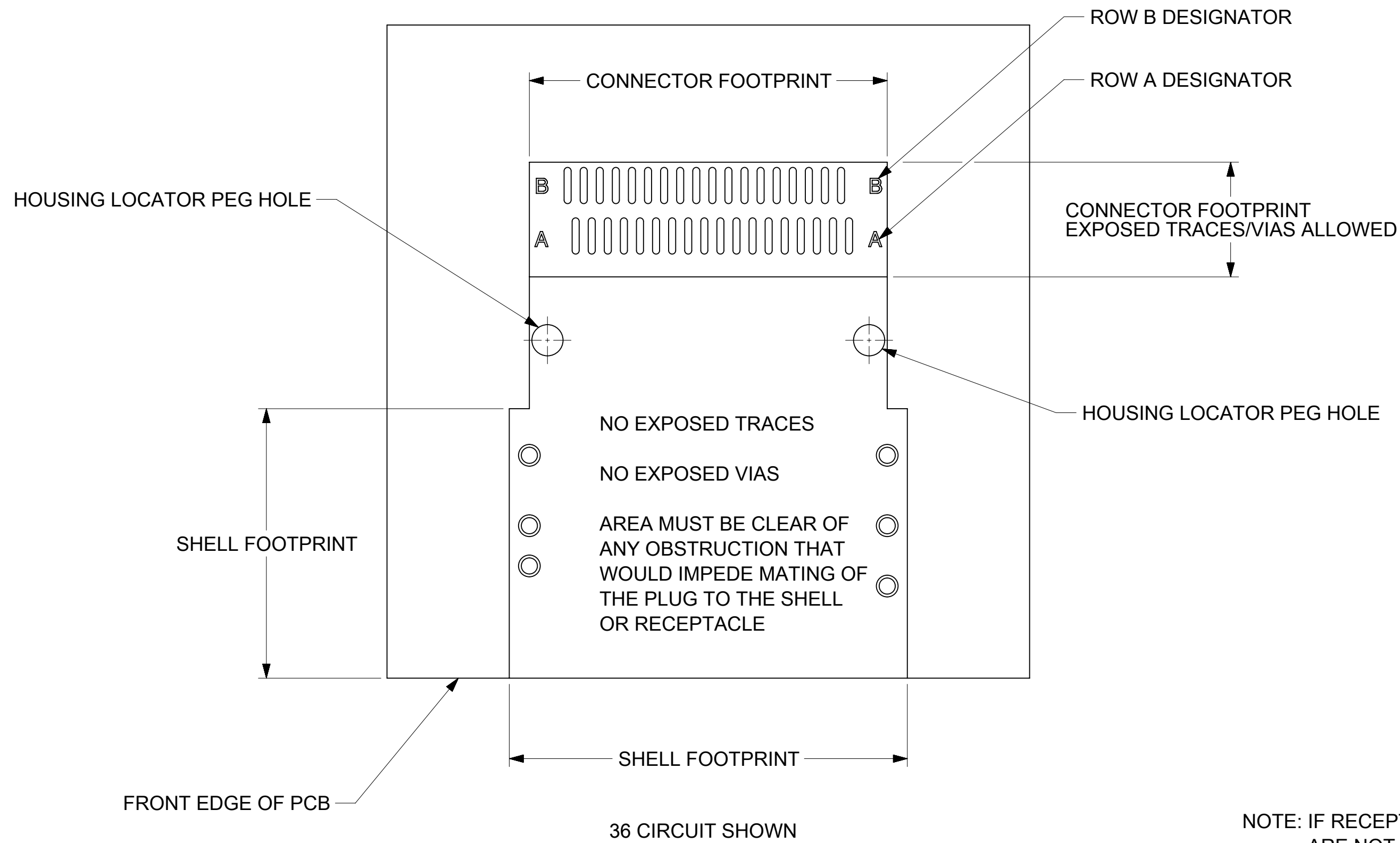


	PEG TO PEG	FIRST PAD TO LAST PAD	CENTERLINE TO PAD	CENTERLINE TO PAD	CONNECTOR WIDTH SHELL PEG TO PEG	SHELL FOOTPRINT WIDTH	CENTERLINE TO PAD EDGE
CIRCUIT SIZE	DIM 'A'	DIM 'B'	DIM 'C'	DIM 'D'	DIM 'E'	DIM 'F'	DIM 'G'
36	16.00	14.00	6.60	7.00	17.80	20.80	8.825
50	21.60	19.60	9.40	9.80	23.40	26.40	11.625
68	28.80	26.80	13.00	13.40	30.60	33.60	15.225

THIS DRAWING CONTAINS INFORMATION THAT IS PROPRIETARY TO MOLEX ELECTRONIC TECHNOLOGIES, LLC AND SHOULD NOT BE USED WITHOUT WRITTEN PERMISSION

DIMENSION UNITS mm	SCALE 5:1	CURRENT REV DESC: REMOVED OBSOLETE PART NUMBERS AS PER PCN#511683.	molex			
GENERAL TOLERANCES (UNLESS SPECIFIED)						I-PASS R/A CONNECTOR INTERNAL ASSY W/SHELL 0.8MM PITCH I/O
ANGULAR TOL ± 0.5°	EC NO: 755035	2023/03/30	PRODUCT CUSTOMER DRAWING			
4 PLACES ±	DRWN: ANIKES1	2023/06/29				
3 PLACES ±	CHK'D: GGA	2023/06/29	DOCUMENT NUMBER SD-75783-001			
2 PLACES ± 0.13	APPR: GGA	2023/06/29				DOC TYPE PSD
1 PLACE ± 0.25	INITIAL REVISION:	2005/04/15	MATERIAL NUMBER SEE TABLE			
0 PLACES ±	DRWN: KLANG	2005/04/18				CUSTOMER GENERAL MARKET
DRAFT WHERE APPLICABLE MUST REMAIN WITHIN DIMENSIONS	APPR: RNELSON	2005/04/18	SHEET NUMBER 2 OF 12			
	THIRD ANGLE PROJECTION	DRAWING C-SIZE				SERIES 75783

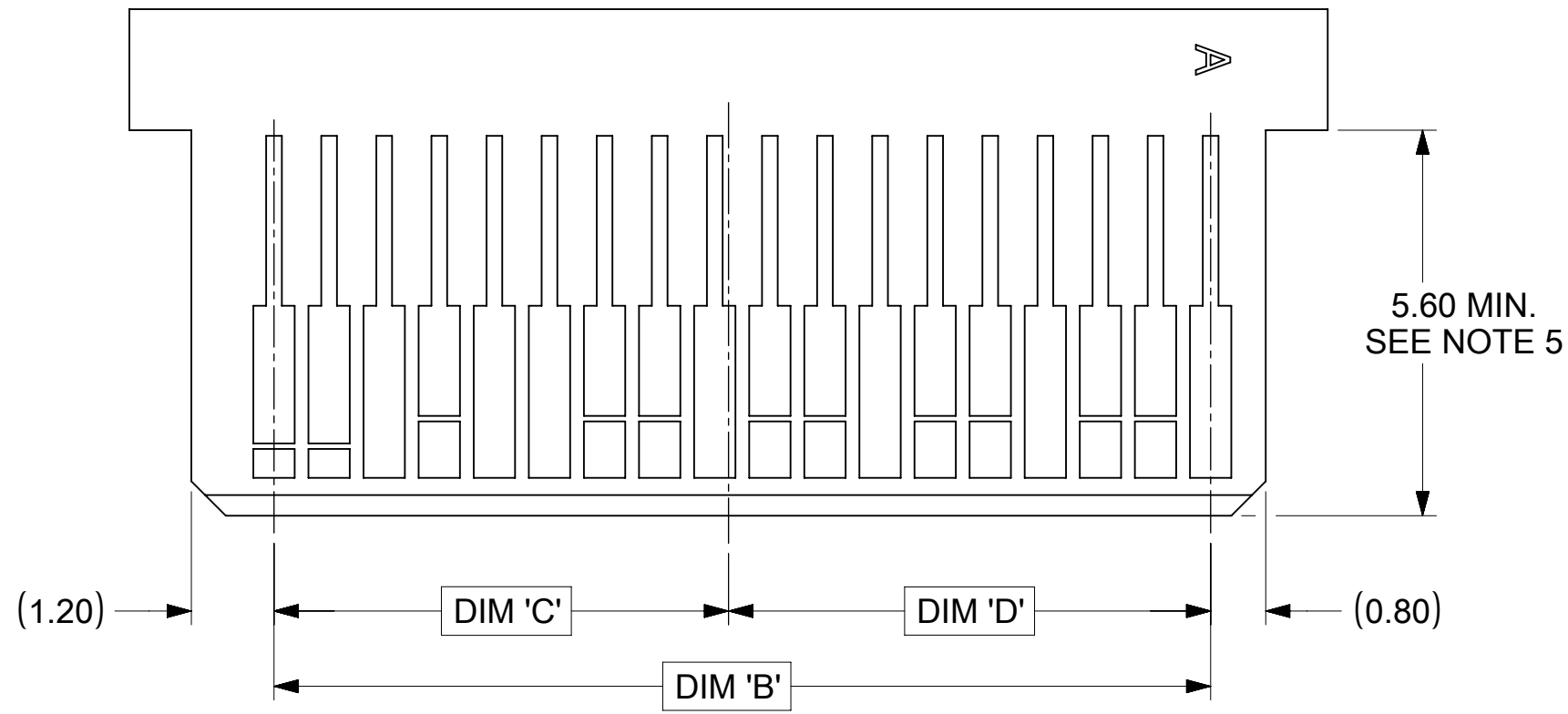
RIGHT ANGLE CONNECTOR WITH SHELL PCB FOOT PRINT DESCRIPTIONS



NOTE: IF RECEPTACLE AND SHELL ARE NOT PLACED AT EDGE OF PCB AS SHOWN, ADDITIONAL CLEARANCE IS NEEDED FOR BODY OF PLUG AND CABLE

THIS DRAWING CONTAINS INFORMATION THAT IS PROPRIETARY TO MOLEX ELECTRONIC TECHNOLOGIES, LLC AND SHOULD NOT BE USED WITHOUT WRITTEN PERMISSION									
DIMENSION UNITS		SCALE		CURRENT REV DESC: REMOVED OBSOLETE PART NUMBERS AS PER PCN#511683.				molex	
mm		5:1							
GENERAL TOLERANCES (UNLESS SPECIFIED)								I-PASS R/A CONNECTOR INTERNAL ASSY W/SHELL 0.8MM PITCH I/O	
ANGULAR TOL ± 0.5°									
4 PLACES ±				EC NO: 755035				PRODUCT CUSTOMER DRAWING	
3 PLACES ±				DRWN: ANIKES1		2023/03/30			
2 PLACES ±				CHK'D: GGA		2023/06/29		DOCUMENT NUMBER SD-75783-001	
1 PLACE ±				APPR: GGA		2023/06/29			
0 PLACES ±				INITIAL REVISION:				DOC TYPE PSD	
				DRWN: KLANG		2005/04/15			
				APPR: RNELSON		2005/04/18		REVISION F2	
DRAFT WHERE APPLICABLE MUST REMAIN WITHIN DIMENSIONS		THIRD ANGLE PROJECTION		DRAWING		SERIES			
				C-SIZE		75783		CUSTOMER GENERAL MARKET	
								SHEET NUMBER 3 OF 12	

MATING INTERFACE (FOR REFERENCE ONLY)



36 CIRCUIT SHOWN

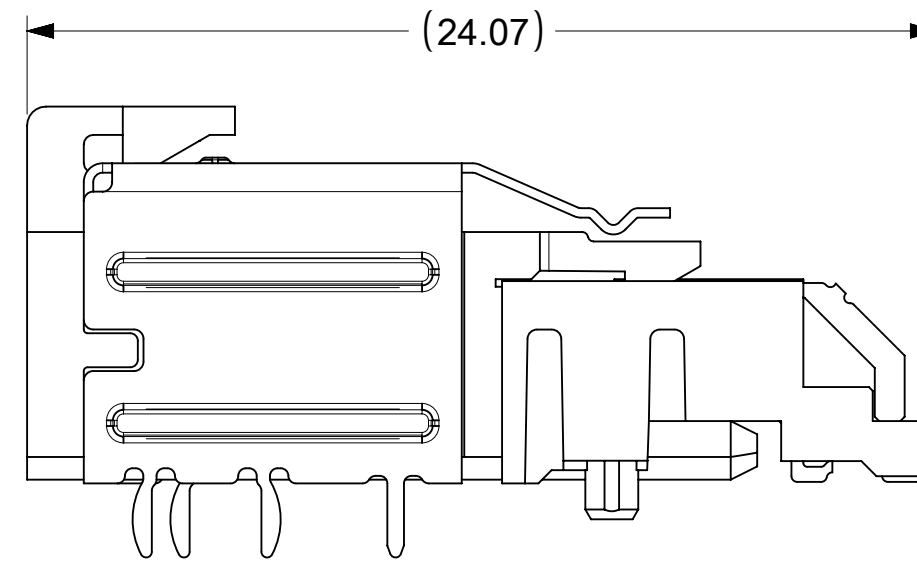
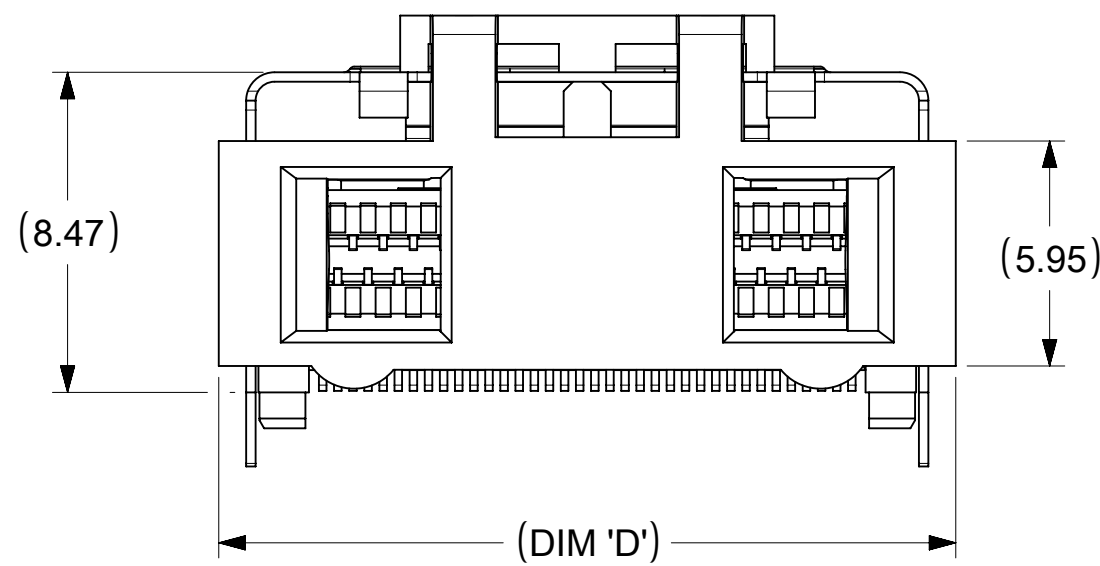
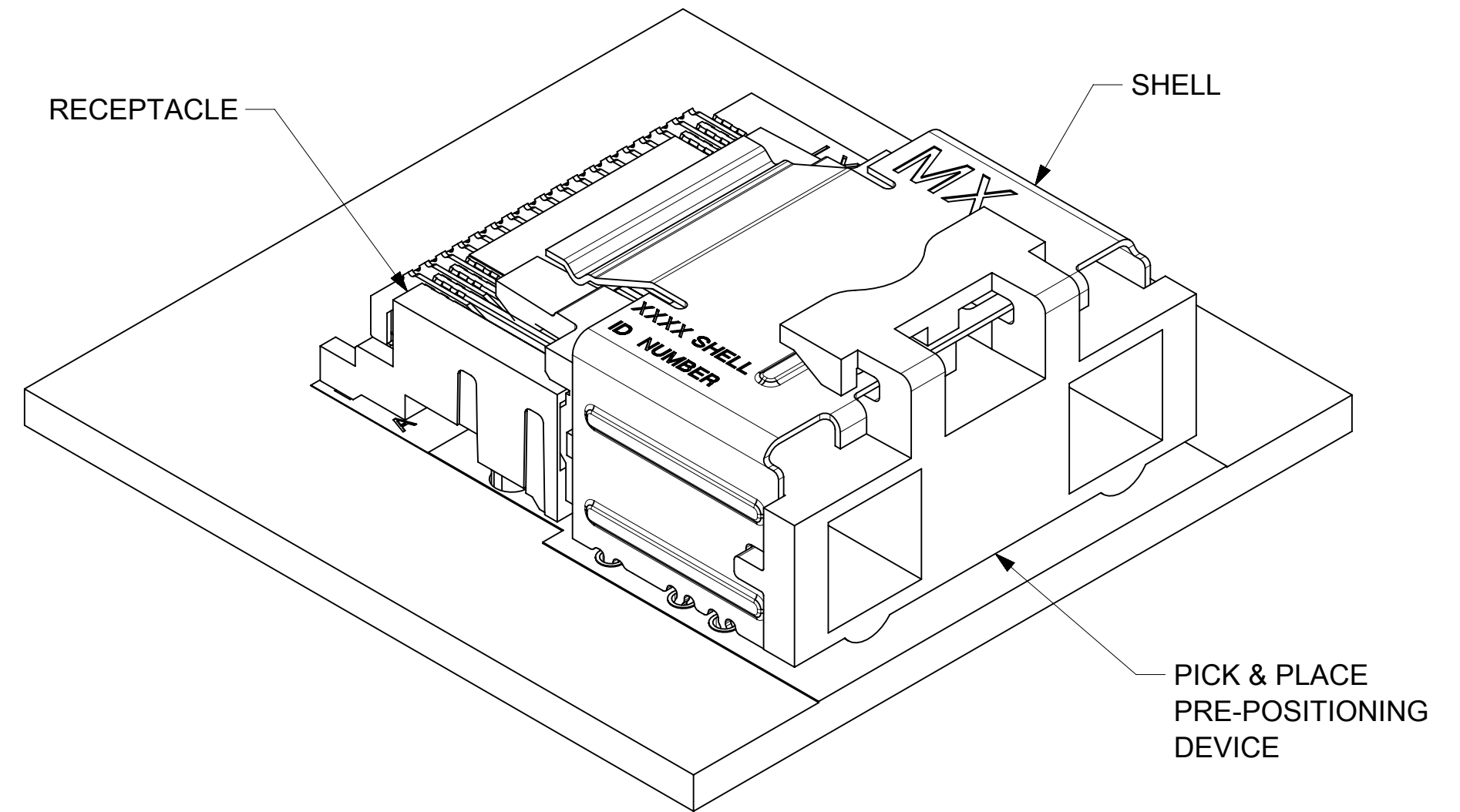
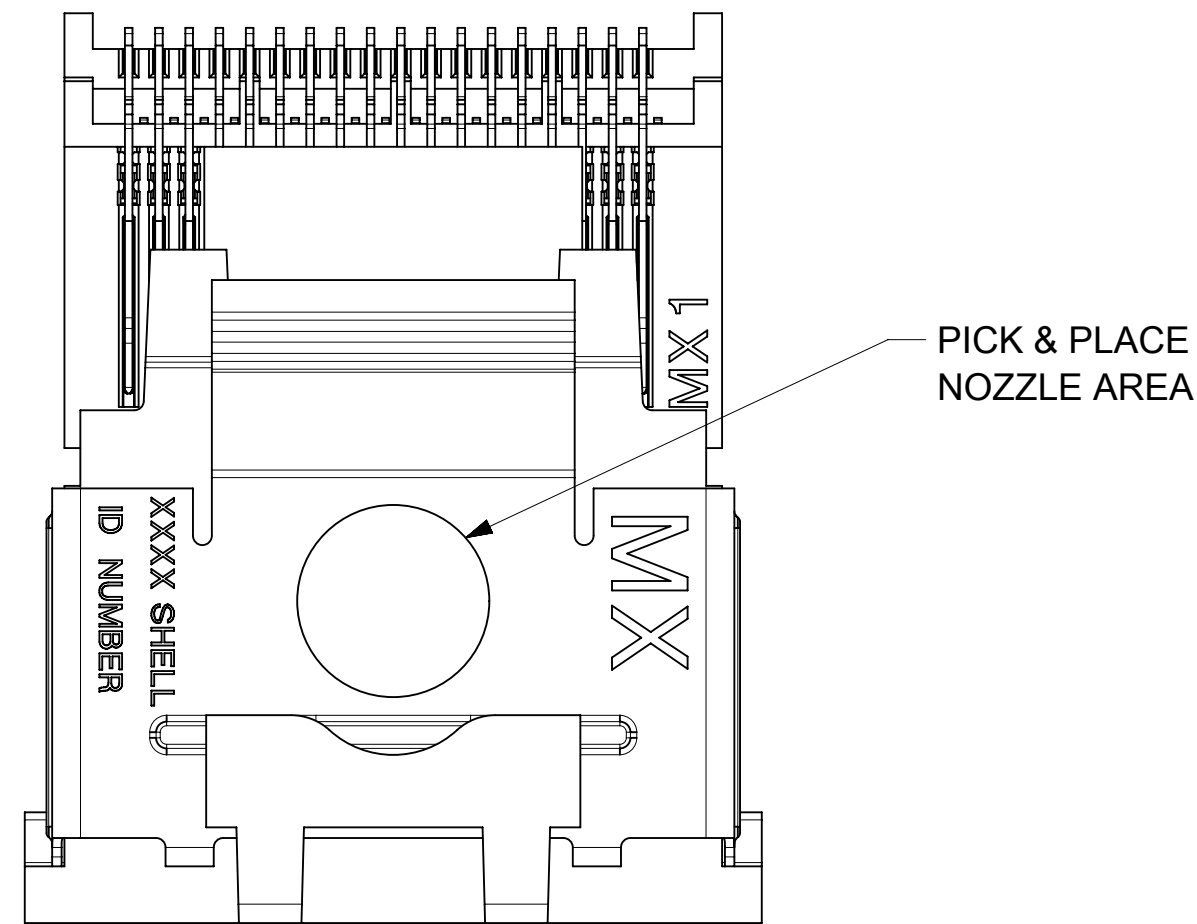
- NOTES:
- PAD CONFIGURATION FOR FIRST MATE.
 - PAD CONFIGURATION FOR SECOND MATE.
 - PAD CONFIGURATION FOR THIRD MATE. (HIGH SPEED SIGNALS)
 - FOR PIN ASSIGNMENTS AND MATING SEQUENCE (1ST, 2ND, 3RD), SEE APPLICABLE SPECIFICATION.
 - MINIMUM STEP REQUIRED IF PCB MADE WIDER THAN TONGUE.

CIRCUIT SIZE	DIM 'A'	DIM 'B'	DIM 'C'	DIM 'D'	DIM 'E'
36	18	13.60	6.60	7.00	15.60
50	25	19.20	9.40	9.80	21.20
68	34	26.40	13.00	13.40	28.40

THIS DRAWING CONTAINS INFORMATION THAT IS PROPRIETARY TO MOLEX ELECTRONIC TECHNOLOGIES, LLC AND SHOULD NOT BE USED WITHOUT WRITTEN PERMISSION

DIMENSION UNITS mm	SCALE 10:1	CURRENT REV DESC: REMOVED OBSOLETE PART NUMBERS AS PER PCN#511683.			
GENERAL TOLERANCES (UNLESS SPECIFIED)		EC NO: 755035			
ANGULAR TOL ± 0.5°	4 PLACES ±	DRWN: ANIKES1	2023/03/30		
	3 PLACES ±	CHK'D: GGA	2023/06/29		
	2 PLACES ± 0.13	APPR: GGA	2023/06/29		
	1 PLACE ± 0.25	INITIAL REVISION:		DOCUMENT NUMBER	
	0 PLACES ±	DRWN: KLANG	2005/04/15	SD-75783-001	
		APPR: RNELSON	2005/04/18	DOC TYPE	DOC PART
DRAFT WHERE APPLICABLE MUST REMAIN WITHIN DIMENSIONS	THIRD ANGLE PROJECTION	DRAWING	SERIES	MATERIAL NUMBER	CUSTOMER
		C-SIZE	75783	SEE TABLE	GENERAL MARKET
					SHEET NUMBER
					4 OF 12

ASSEMBLY WITH PRE-POSITION DEVICE



36 CIRCUIT RETENTION-FIT SHELL OPTION SHOWN

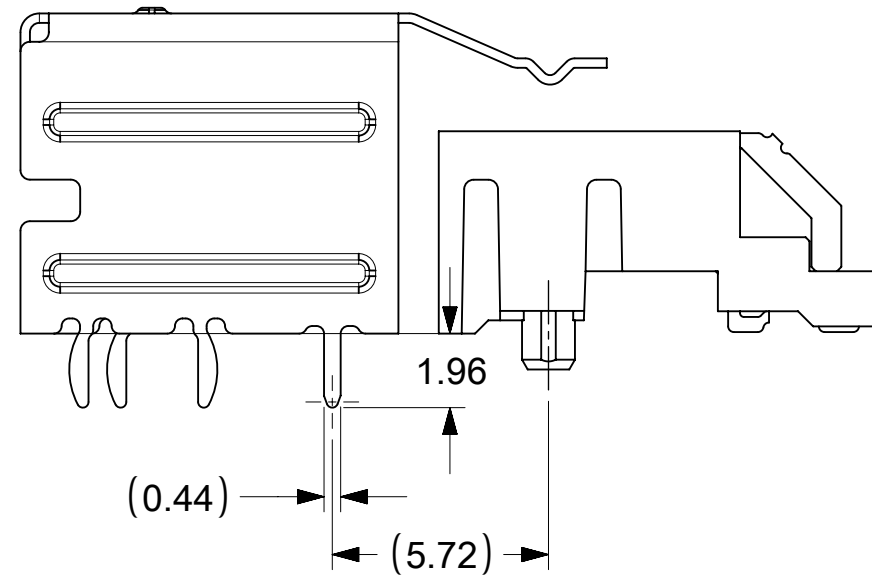
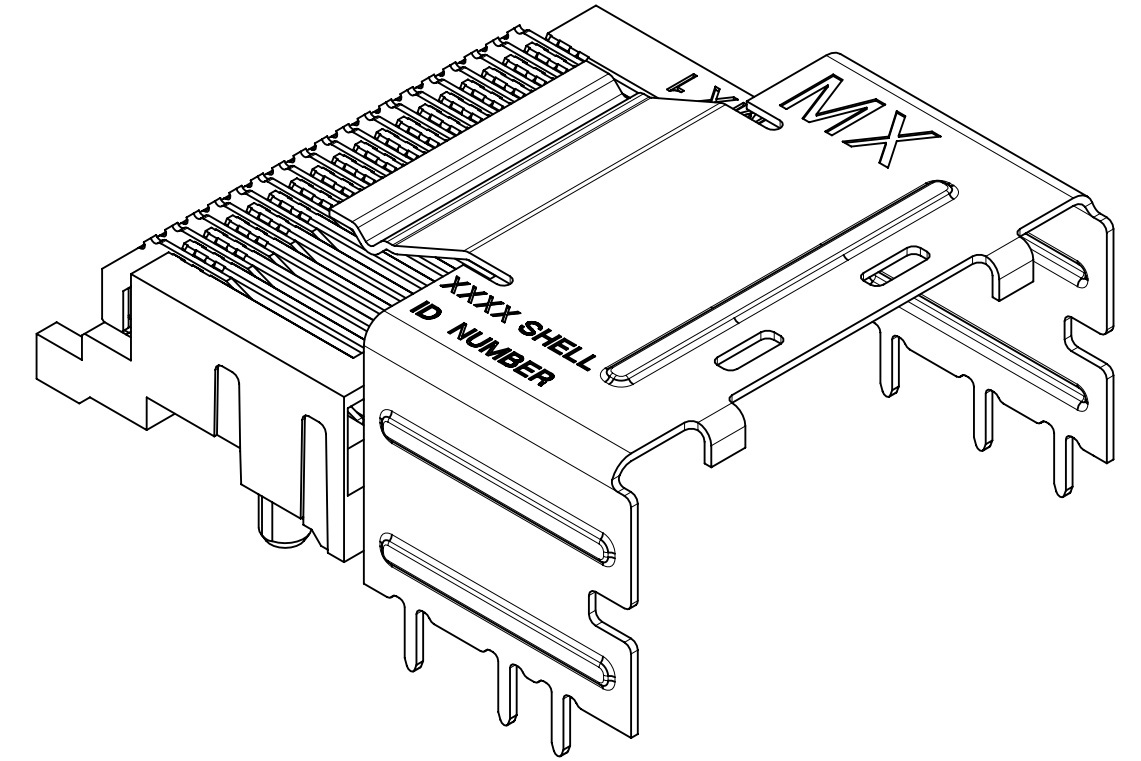
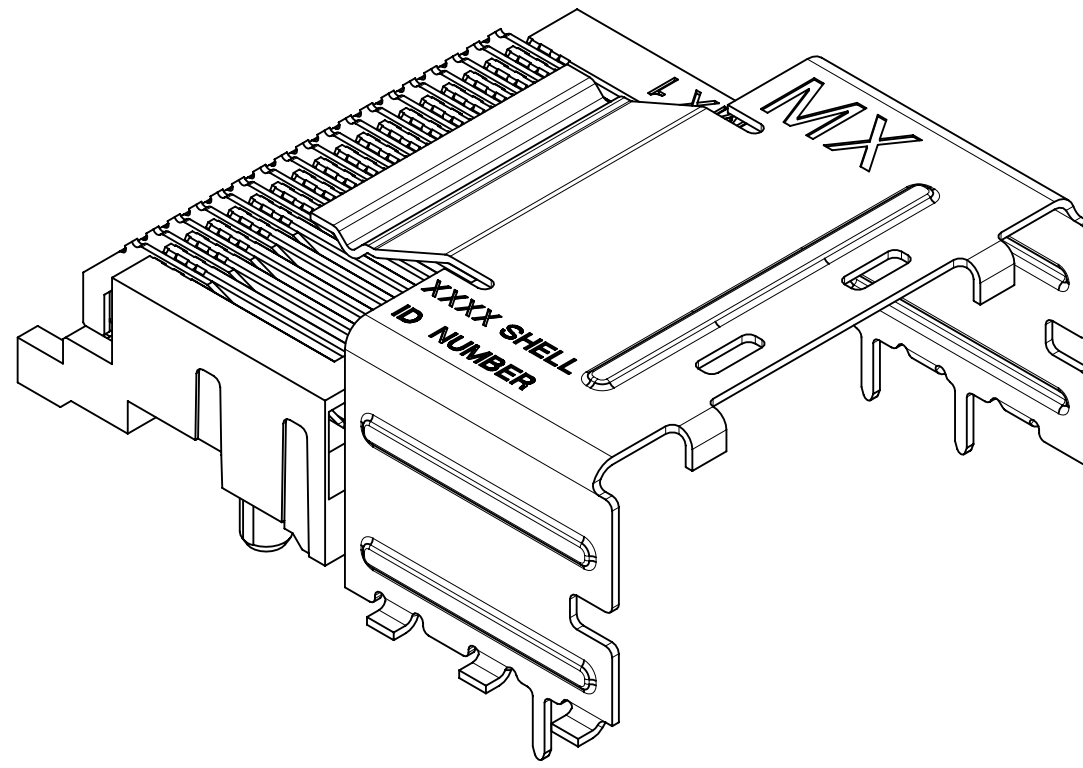
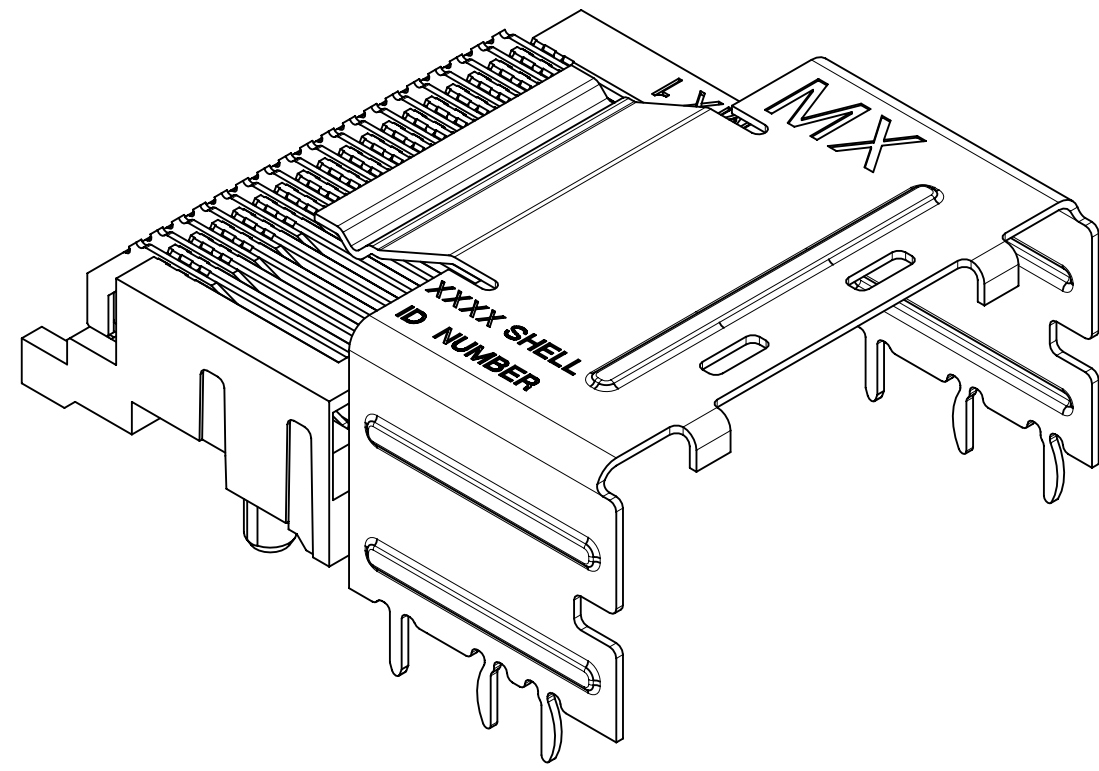
NOTES:

1. PICK AND PLACE AREA DEFINED IN APPLICATION SPECIFICATION, AS-75783-001
2. PACKAGING CONSISTS OF CONNECTOR AND SHELL WITH A PRE-POSITIONING PICK AND PLACE DEVICE THAT ARE PACKAGED IN "TAPE AND REEL" FOR ROBOTIC PICK AND PLACE.

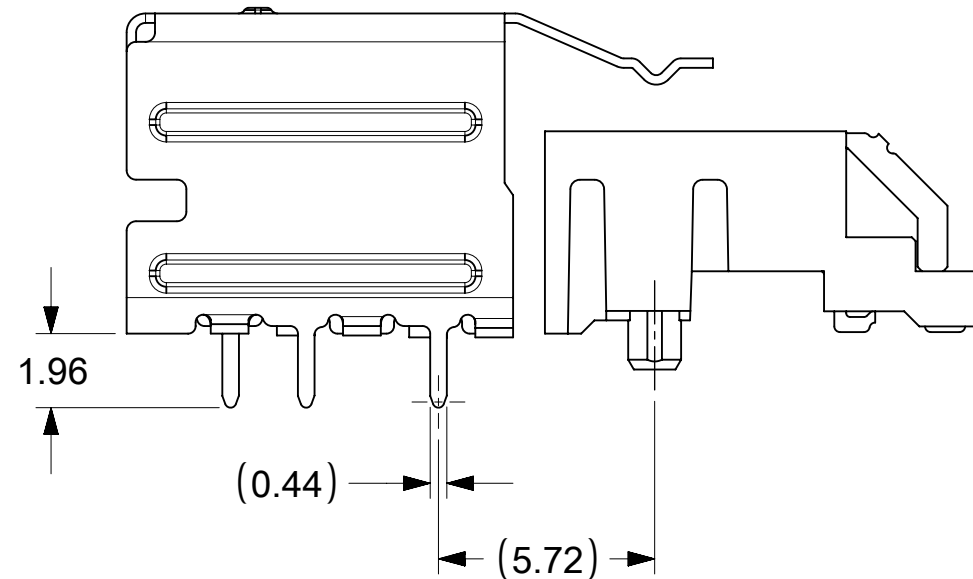
CIRCUIT SIZE	DIM 'D'
36	19.50
50	25.10
68	32.30

THIS DRAWING CONTAINS INFORMATION THAT IS PROPRIETARY TO MOLEX ELECTRONIC TECHNOLOGIES, LLC AND SHOULD NOT BE USED WITHOUT WRITTEN PERMISSION											
DIMENSION UNITS		SCALE		CURRENT REV DESC: REMOVED OBSOLETE PART NUMBERS AS PER PCN#511683.							
mm		5:1									
GENERAL TOLERANCES (UNLESS SPECIFIED)				EC NO: 755035							
ANGULAR TOL ± 0.5°				4 PLACES ±		DRWN: ANIKES1		2023/03/30		I-PASS R/A CONNECTOR INTERNAL ASSY W/SHELL 0.8MM PITCH I/O	
				3 PLACES ±		CHK'D: GGA		2023/06/29			
				2 PLACES ± 0.13		APPR: GGA		2023/06/29		PRODUCT CUSTOMER DRAWING	
				1 PLACE ± 0.25		INITIAL REVISION:				DOCUMENT NUMBER	
				0 PLACES ±		DRWN: KLANG		2005/04/15		SD-75783-001	
				APPR: RNELSON		2005/04/18				DOC TYPE DOC PART REVISION	
DRAFT WHERE APPLICABLE MUST REMAIN WITHIN DIMENSIONS				THIRD ANGLE PROJECTION		DRAWING		SERIES		MATERIAL NUMBER	
						C-SIZE		75783		SEE TABLE	
						CUSTOMER		GENERAL MARKET		SHEET NUMBER	
										5 OF 12	

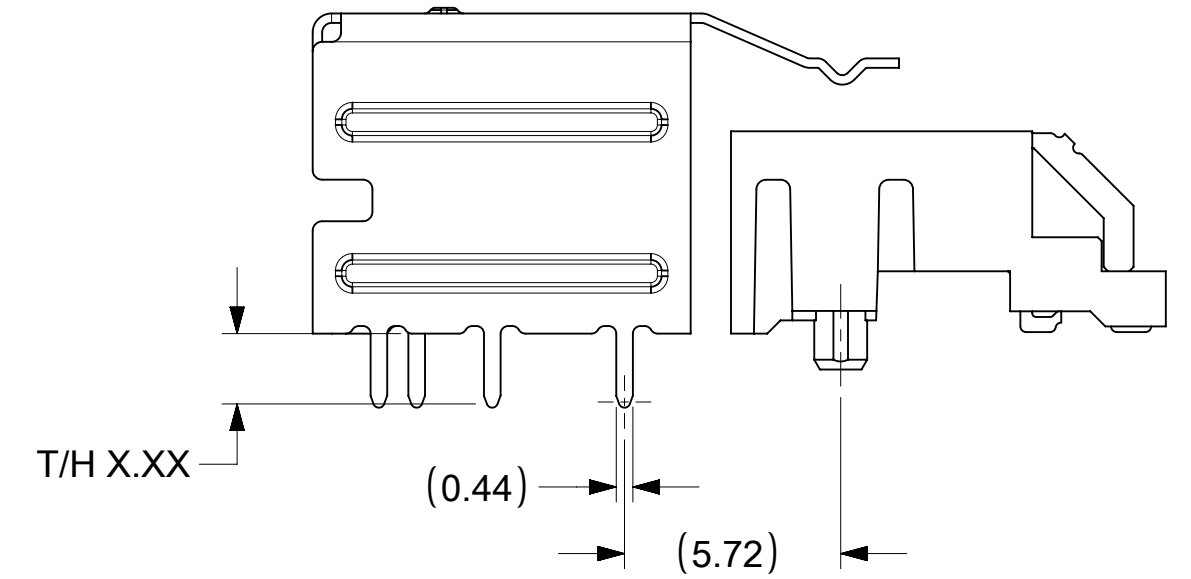
SHELL PCB INTERFACE



RETENTION-FIT SHELL OPTION



SMT SHELL OPTION



THRU-HOLE SHELL OPTION
SEE TABLE FOR LENGTH
(X.XX DENOTES TAIL LENGTH)

RECOMMENDED PCB THICKNESS FOR SPECIFIED TAIL LENGTH

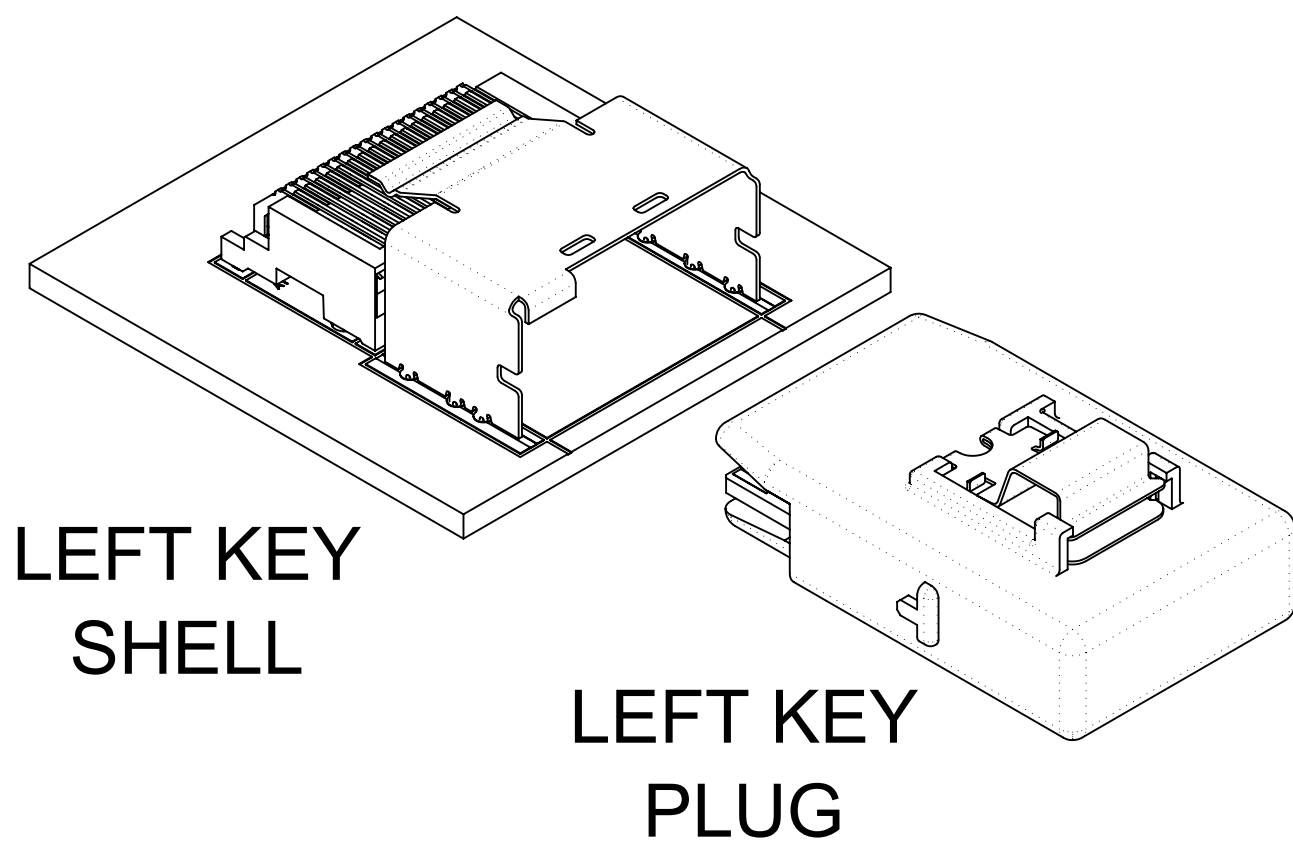
TAIL LENGTH	PCB THICKNESS
1.96	1.57(.062)
2.79	2.36(.093)
3.18	2.79(.110)
3.56	3.18(.125)

NOTE:
RETENTION FIT DENOTES TAILS THAT OFFER RETENTION TO PCB DURING REFLOW PROCESS
SMT DENOTES SURFACE MOUNT TERMINATION
T/H X.XX DENOTES THRU-HOLE TAIL OF LENGTH X.XX

THIS DRAWING CONTAINS INFORMATION THAT IS PROPRIETARY TO MOLEX ELECTRONIC TECHNOLOGIES, LLC AND SHOULD NOT BE USED WITHOUT WRITTEN PERMISSION

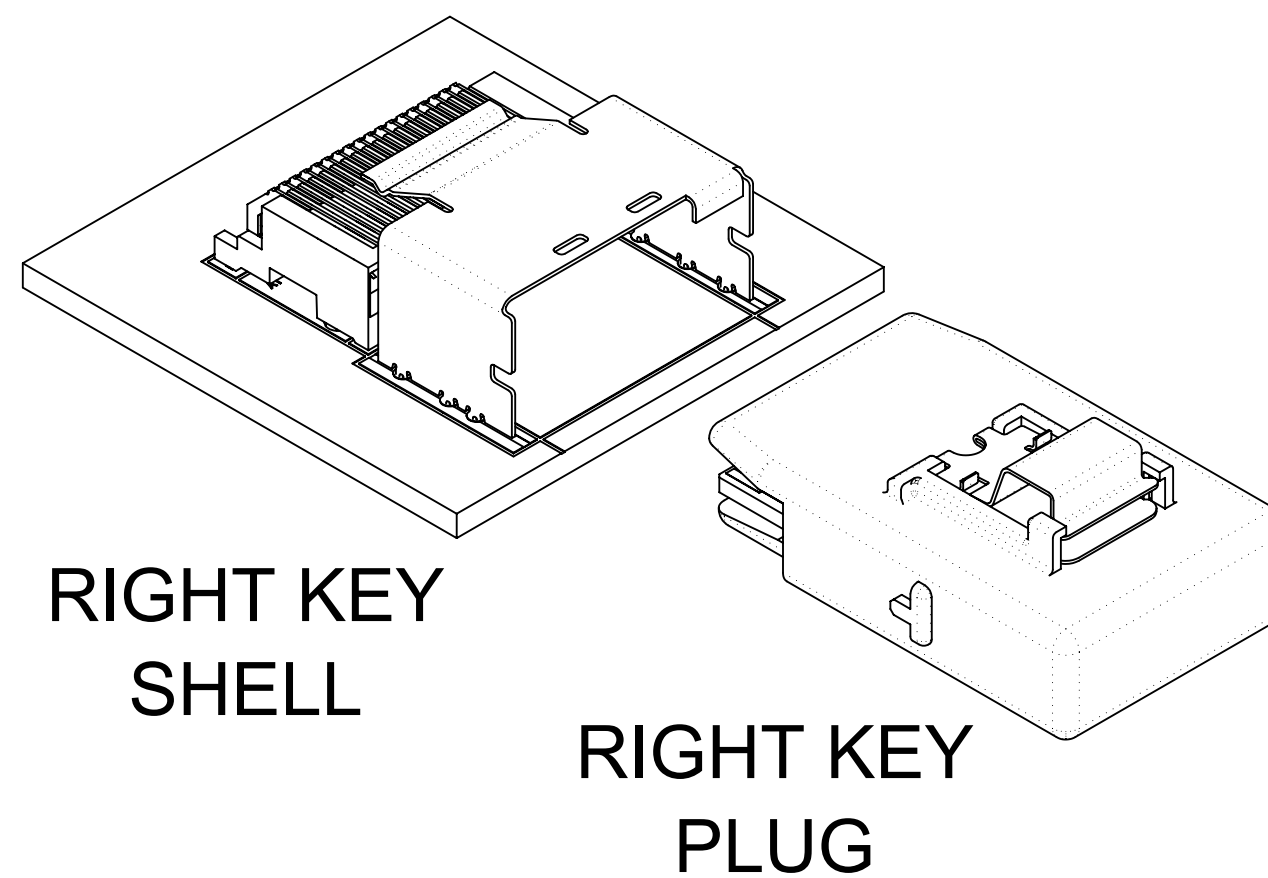
DIMENSION UNITS	SCALE	CURRENT REV DESC: REMOVED OBSOLETE PART NUMBERS AS PER PCN#511683.		molex		
mm	5:1					
GENERAL TOLERANCES (UNLESS SPECIFIED)		EC NO: 755035		I-PASS R/A CONNECTOR INTERNAL ASSY W/SHELL 0.8MM PITCH I/O		
ANGULAR TOL	± 0.5°	4 PLACES	±	DRWN: ANIKES1	2023/03/30	PRODUCT CUSTOMER DRAWING
3 PLACES	±	CHK'D: GGA	2023/06/29	APPR: GGA	2023/06/29	
2 PLACES	± 0.13	INITIAL REVISION:		DOCUMENT NUMBER		
1 PLACE	± 0.25	DRWN: KLANG	2005/04/15	SD-75783-001		DOC TYPE
0 PLACES	±	APPR: RNELSON	2005/04/18	PSD		DOC PART
DRAFT WHERE APPLICABLE MUST REMAIN WITHIN DIMENSIONS		THIRD ANGLE PROJECTION		DRAWING	SERIES	REVISION
		C-SIZE		75783	MATERIAL NUMBER	CUSTOMER
		SEE TABLE		GENERAL MARKET	SHEET NUMBER	
		6 OF 12				

KEYING OPTIONS



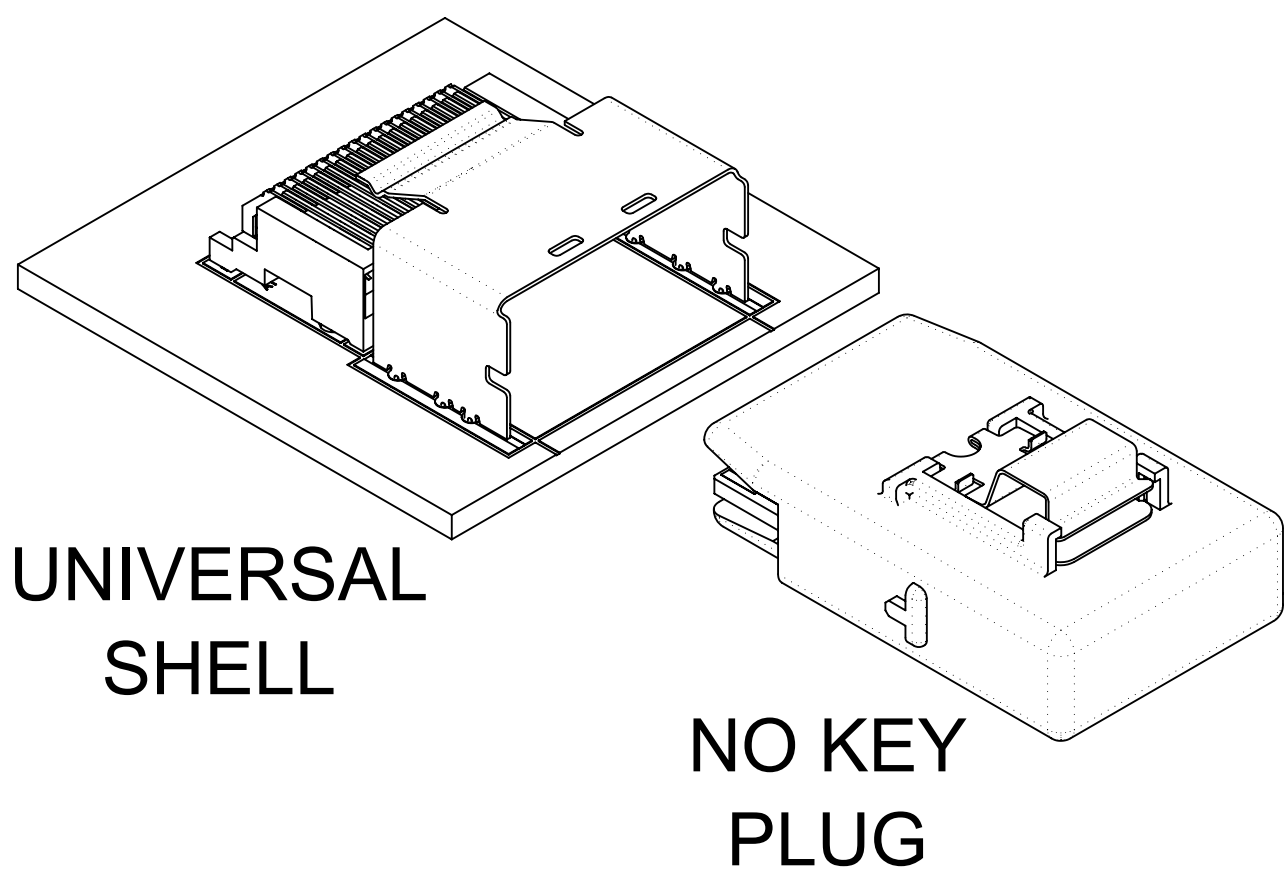
LEFT KEY SHELL

LEFT KEY PLUG



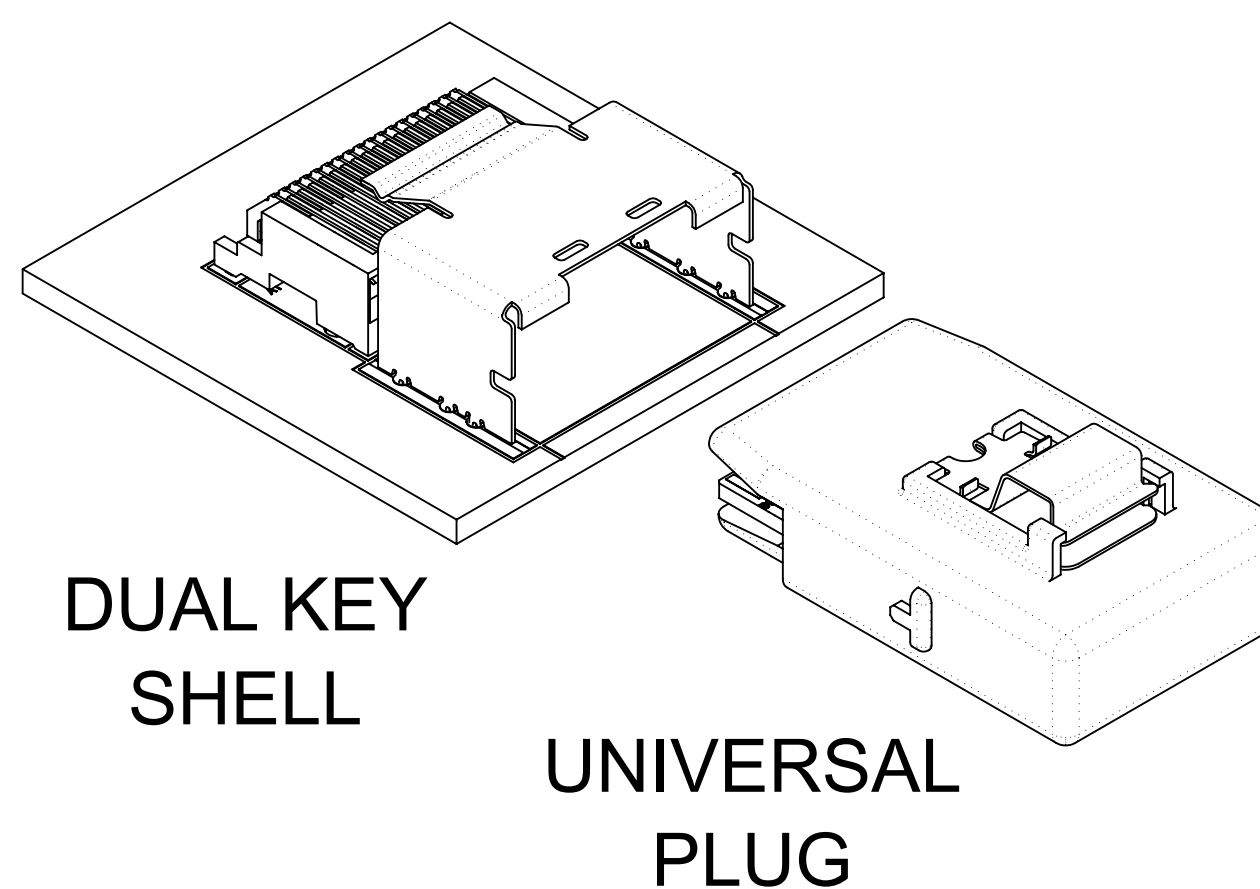
RIGHT KEY SHELL

RIGHT KEY PLUG



UNIVERSAL SHELL

NO KEY PLUG




DUAL KEY SHELL

UNIVERSAL PLUG

	UNIVERSAL SHELL	LEFT KEY SHELL	RIGHT KEY SHELL	DUAL KEY SHELL
NO KEY PLUG	YES	NO	NO	NO
LEFT KEY PLUG	YES	YES	NO	NO
RIGHT KEY PLUG	YES	NO	YES	NO
UNIVERSAL PLUG	YES	YES	YES	YES

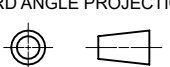
THIS DRAWING CONTAINS INFORMATION THAT IS PROPRIETARY TO MOLEX ELECTRONIC TECHNOLOGIES, LLC AND SHOULD NOT BE USED WITHOUT WRITTEN PERMISSION

DIMENSION UNITS mm	SCALE 1:1	CURRENT REV DESC: REMOVED OBSOLETE PART NUMBERS AS PER PCN#511683.		 I-PASS R/A CONNECTOR INTERNAL ASSY W/SHELL 0.8MM PITCH I/O		
GENERAL TOLERANCES (UNLESS SPECIFIED)		EC NO: 755035				
ANGULAR TOL ± 0.5°	4 PLACES ±	DRWN: ANIKES1		2023/03/30		
3 PLACES ±	2 PLACES ± 0.13	CHK'D: GGA		2023/06/29		
1 PLACE ± 0.25	0 PLACES ±	APPR: GGA		2023/06/29		
DRAFT WHERE APPLICABLE MUST REMAIN WITHIN DIMENSIONS		INITIAL REVISION:		DOCUMENT NUMBER		
THIRD ANGLE PROJECTION		DRWN: KLANG		SD-75783-001		
DRAWING		APPR: RNELSON		DOC TYPE DOC PART REVISION		
C-SIZE		2005/04/15		PSD 001 F2		
SERIES		2005/04/18		MATERIAL NUMBER CUSTOMER SHEET NUMBER		
75783		SEE TABLE GENERAL MARKET		7 OF 12		

36 CIRCUIT ITEM NUMBERS

CIRCUIT SIZE	ITEM NUMBER	PLATING OPTION	SHELL PCB OPTION	SHELL KEY OPTION
36	75783-0107	OPTION 1	RETENTION	LEFT
36	75783-0112	OPTION 1	SMT	DUAL
36	75783-0121	OPTION 2	RETENTION	DUAL
36	75783-0122	OPTION 2	SMT	LEFT
36	75783-0125	OPTION 1	RETENTION	UNIVERSAL
36	75783-0126	OPTION 1	SMT	UNIVERSAL
36	75783-0127	OPTION 2	RETENTION	UNIVERSAL
36	75783-0128	OPTION 2	SMT	UNIVERSAL
36	75783-0132	OPTION 1	T/H 1.96	UNIVERSAL
36	75783-0133	OPTION 2	T/H 1.96	LEFT
36	75783-0170	OPTION 1	T/H 1.40	UNIVERSAL

CIRCUIT SIZE	ITEM NUMBER	PLATING OPTION	SHELL PCB OPTION	SHELL KEY OPTION
36	75783-0137	OPTION 1	T/H 2.79	LEFT
36	75783-0140	OPTION 1	T/H 2.79	UNIVERSAL
36	75783-0144	OPTION 2	T/H 2.79	UNIVERSAL
36	75783-0150	OPTION 2	T/H 3.18	RIGHT
36	75783-0155	OPTION 1	T/H 3.56	DUAL
36	75783-0156	OPTION 1	T/H 3.56	UNIVERSAL


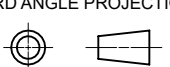
THIS DRAWING CONTAINS INFORMATION THAT IS PROPRIETARY TO MOLEX ELECTRONIC TECHNOLOGIES, LLC AND SHOULD NOT BE USED WITHOUT WRITTEN PERMISSION													
DIMENSION UNITS		SCALE		CURRENT REV DESC: REMOVED OBSOLETE PART NUMBERS AS PER PCN#511683.				molex					
mm		1:1											
GENERAL TOLERANCES (UNLESS SPECIFIED)				EC NO: 755035 DRWN: ANIKES1 2023/03/30 CHK'D: GGA 2023/06/29 APPR: GGA 2023/06/29 INITIAL REVISION: DRWN: KLANG 2005/04/15 APPR: RNELSON 2005/04/18				I-PASS R/A CONNECTOR INTERNAL ASSY W/SHELL 0.8MM PITCH I/O					
ANGULAR TOL ± 0.5°								PRODUCT CUSTOMER DRAWING					
4 PLACES ±								DOCUMENT NUMBER		DOC TYPE		DOC PART	
3 PLACES ±								SD-75783-001		PSD		001	
2 PLACES ± 0.13								REVISION		F2			
1 PLACE ± 0.25				MATERIAL NUMBER		CUSTOMER		SHEET NUMBER					
0 PLACES ±				SEE TABLE		GENERAL MARKET		8 OF 12					
DRAFT WHERE APPLICABLE MUST REMAIN WITHIN DIMENSIONS				THIRD ANGLE PROJECTION		DRAWING		SERIES					
						C-SIZE		75783					

DOCUMENT STATUS	P1	RELEASE DATE	2023/06/29	13:27:16
-----------------	----	--------------	------------	----------

50 CIRCUIT ITEM NUMBERS

CIRCUIT SIZE	ITEM NUMBER	PLATING OPTION	SHELL PCB OPTION	SHELL KEY OPTION
50	75783-0236	OPTION 2	T/H 1.96	UNIVERSAL

CIRCUIT SIZE	ITEM NUMBER	PLATING OPTION	SHELL PCB OPTION	SHELL KEY OPTION
50	75783-0252	OPTION 2	T/H 3.18	UNIVERSAL

THIS DRAWING CONTAINS INFORMATION THAT IS PROPRIETARY TO MOLEX ELECTRONIC TECHNOLOGIES, LLC AND SHOULD NOT BE USED WITHOUT WRITTEN PERMISSION														
DIMENSION UNITS	SCALE	CURRENT REV DESC: REMOVED OBSOLETE PART NUMBERS AS PER PCN#511683.												
mm	1:1													
GENERAL TOLERANCES (UNLESS SPECIFIED)		EC NO: 755035 DRWN: ANIKES1 2023/03/30 CHK'D: GGA 2023/06/29 APPR: GGA 2023/06/29			I-PASS R/A CONNECTOR INTERNAL ASSY W/SHELL 0.8MM PITCH I/O									
ANGULAR TOL	± 0.5°									PRODUCT CUSTOMER DRAWING				
4 PLACES	±				DOCUMENT NUMBER: SD-75783-001 DOC TYPE: PSD DOC PART: 001 REVISION: F2									
3 PLACES	±													
2 PLACES	± 0.13													
1 PLACE	± 0.25	INITIAL REVISION:												
0 PLACES	±	DRWN: KLANG 2005/04/15 APPR: RNELSON 2005/04/18												
DRAFT WHERE APPLICABLE MUST REMAIN WITHIN DIMENSIONS	THIRD ANGLE PROJECTION	DRAWING	SERIES	MATERIAL NUMBER	CUSTOMER	SHEET NUMBER								
		C-SIZE	75783	SEE TABLE	GENERAL MARKET	9 OF 12								

DOCUMENT STATUS	P1	RELEASE DATE	2023/06/29 13:27:16
-----------------	----	--------------	---------------------

68 CIRCUIT ITEM NUMBERS

CIRCUIT SIZE	ITEM NUMBER	PLATING OPTION	SHELL PCB OPTION	SHELL KEY OPTION
68	75783-0328	OPTION 2	SMT	UNIVERSAL
68	75783-0332	OPTION 1	T/H 1.96	UNIVERSAL
68	75783-0334	OPTION 2	T/H 1.96	RIGHT

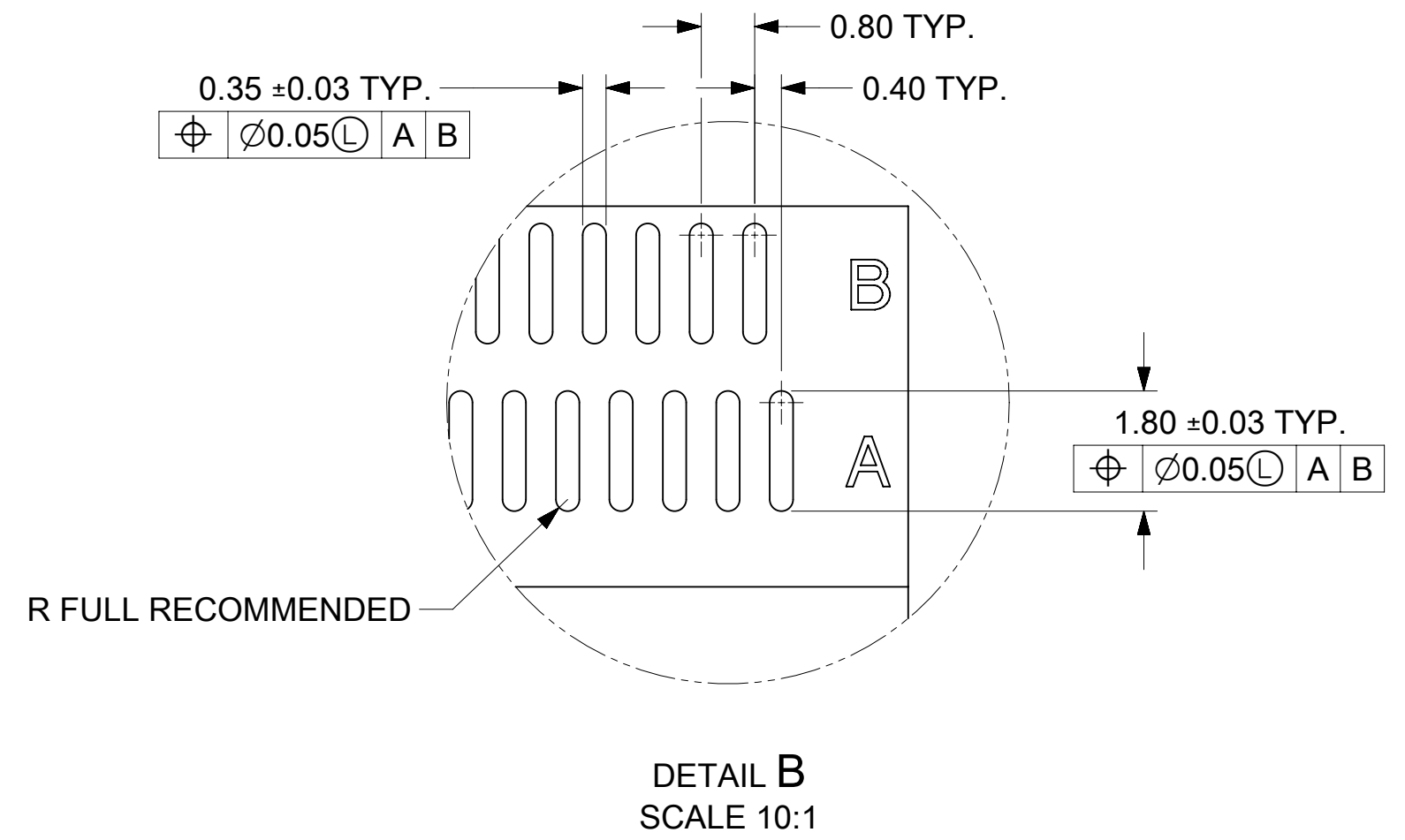
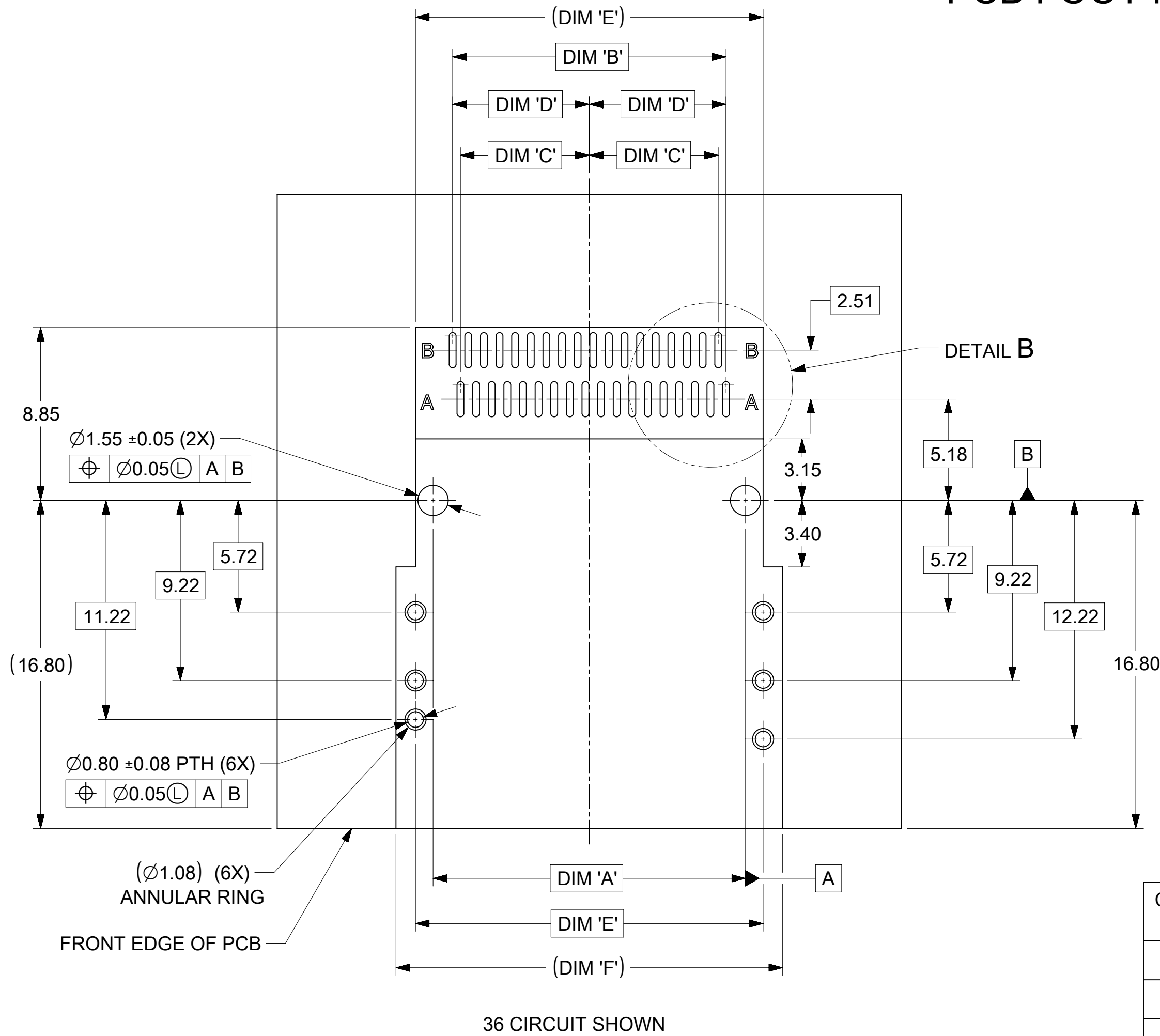
CIRCUIT SIZE	ITEM NUMBER	PLATING OPTION	SHELL PCB OPTION	SHELL KEY OPTION
68	75783-0337	OPTION 1	T/H 2.79	LEFT
68	75783-0338	OPTION 1	T/H 2.79	RIGHT
68	75783-0348	OPTION 1	T/H 3.18	UNIVERSAL
68	75783-0352	OPTION 2	T/H 3.18	UNIVERSAL

THIS DRAWING CONTAINS INFORMATION THAT IS PROPRIETARY TO MOLEX ELECTRONIC TECHNOLOGIES, LLC AND SHOULD NOT BE USED WITHOUT WRITTEN PERMISSION

<small>DIMENSION UNITS</small>	mm	<small>SCALE</small>	1:1	<small>CURRENT REV DESC: REMOVED OBSOLETE PART NUMBERS AS PER PCN#511683.</small>	<h1 style="margin: 0;">molex</h1>												
<small>GENERAL TOLERANCES (UNLESS SPECIFIED)</small>				EC NO: 755035 DRWN: ANIKES1 2023/03/30 CHK'D: GGA 2023/06/29 APPR: GGA 2023/06/29	I-PASS R/A CONNECTOR INTERNAL ASSY W/SHELL 0.8MM PITCH I/O												
<small>ANGULAR TOL ± 0.5°</small>					PRODUCT CUSTOMER DRAWING												
<small>4 PLACES ±</small>					<table border="1" style="width: 100%; border-collapse: collapse;"> <tr> <td colspan="2"><small>DOCUMENT NUMBER</small></td> <td>SD-75783-001</td> <td><small>DOC TYPE</small></td> <td>PSD</td> <td><small>DOC PART</small></td> <td>001</td> <td><small>REVISION</small></td> <td>F2</td> </tr> </table>				<small>DOCUMENT NUMBER</small>		SD-75783-001	<small>DOC TYPE</small>	PSD	<small>DOC PART</small>	001	<small>REVISION</small>	F2
<small>DOCUMENT NUMBER</small>		SD-75783-001	<small>DOC TYPE</small>						PSD	<small>DOC PART</small>	001	<small>REVISION</small>	F2				
<small>3 PLACES ±</small>																	
<small>2 PLACES ± 0.13</small>																	
<small>1 PLACE ± 0.25</small>				INITIAL REVISION: DRWN: KLANG 2005/04/15 APPR: RNELSON 2005/04/18		MATERIAL NUMBER SEE TABLE		CUSTOMER GENERAL MARKET									
<small>0 PLACES ±</small>				<small>THIRD ANGLE PROJECTION</small> 		<small>DRAWING</small> C-SIZE		<small>SERIES</small> 75783									
<small>DRAFT WHERE APPLICABLE MUST REMAIN WITHIN DIMENSIONS</small>				<small>SHEET NUMBER</small> 10 OF 12													

<small>DOCUMENT STATUS</small>	P1	<small>RELEASE DATE</small>	2023/06/29	13:27:16
--------------------------------	----	-----------------------------	------------	----------

RIGHT ANGLE CONNECTOR WITH RETENTION FIT & THRU-HOLE SHELL PCB FOOT PRINT



CIRCUIT SIZE	DIMENSIONS					
	PEG TO PEG	FIRST PAD TO LAST PAD	CENTERLINE TO PAD	CENTERLINE TO PAD	CONNECTOR WIDTH SHELL PEG TO PEG	SHELL FOOTPRINT WIDTH
	DIM 'A'	DIM 'B'	DIM 'C'	DIM 'D'	DIM 'E'	DIM 'F'
36	16.00	14.00	6.60	7.00	17.80	19.80
50	21.60	19.60	9.40	9.80	23.40	25.40
68	28.80	26.80	13.00	13.40	30.60	32.60

THIS DRAWING CONTAINS INFORMATION THAT IS PROPRIETARY TO MOLEX ELECTRONIC TECHNOLOGIES, LLC AND SHOULD NOT BE USED WITHOUT WRITTEN PERMISSION

DIMENSION UNITS mm	SCALE 5:1	CURRENT REV DESC: REMOVED OBSOLETE PART NUMBERS AS PER PCN#511683.	molex			
GENERAL TOLERANCES (UNLESS SPECIFIED)						I-PASS R/A CONNECTOR INTERNAL ASSY W/SHELL 0.8MM PITCH I/O
ANGULAR TOL $\pm 0.5^\circ$	4 PLACES \pm	EC NO: 755035	PRODUCT CUSTOMER DRAWING			
3 PLACES \pm	2 PLACES ± 0.13	DRWN: ANIKES1 2023/03/30 CHK'D: GGA 2023/06/29 APPR: GGA 2023/06/29				
1 PLACE ± 0.25	0 PLACES \pm	INITIAL REVISION: DRWN: KLANG 2005/04/15 APPR: RNELSON 2005/04/18	DOCUMENT NUMBER SD-75783-001	DOC TYPE PSD	DOC PART 001	REVISION F2
DRAFT WHERE APPLICABLE MUST REMAIN WITHIN DIMENSIONS	THIRD ANGLE PROJECTION	DRAWING C-SIZE	SERIES 75783	MATERIAL NUMBER SEE TABLE	CUSTOMER GENERAL MARKET	SHEET NUMBER 11 OF 12

DATE	REV	DESCRIPTION
2018/03/20	F	1. REMASTERED FROM MODEL MANAGER
		2. SHEET 1, NOTE 3, COPLANAR DISTANCE CHANGED FROM 0.15 TO 0.10
2019/03/28	F1	1. RECREATED IN NX
		2. OBSOLETE PART NO 757830052,757830145,757830146,757830326
2023/03/30	F2	1)OBSOLETE PART NUMBERS AS PER PCN#511683(ECN-743800). 2)REMOVED SHEET 8 AND 26 CIRCUIT ITEM NUMBERS.

THIS DRAWING CONTAINS INFORMATION THAT IS PROPRIETARY TO MOLEX ELECTRONIC TECHNOLOGIES, LLC AND SHOULD NOT BE USED WITHOUT WRITTEN PERMISSION												
DIMENSION UNITS	SCALE	CURRENT REV DESC: REMOVED OBSOLETE PART NUMBERS AS PER PCN#511683.			molex							
mm	1:1											
GENERAL TOLERANCES (UNLESS SPECIFIED)					I-PASS R/A CONNECTOR INTERNAL ASSY W/SHELL 0.8MM PITCH I/O							
ANGULAR TOL	± 0.5°	EC NO: 755035			PRODUCT CUSTOMER DRAWING							
4 PLACES	±	DRWN: ANIKES1			2023/03/30							
3 PLACES	±	CHK'D: GGA			2023/06/29							
2 PLACES	± 0.13	APPR: GGA			2023/06/29							
1 PLACE	± 0.25	INITIAL REVISION:			DOCUMENT NUMBER							
0 PLACES	±	DRWN: KLANG			2005/04/15			SD-75783-001		DOC TYPE	DOC PART	REVISION
DRAFT WHERE APPLICABLE MUST REMAIN WITHIN DIMENSIONS		THIRD ANGLE PROJECTION		DRAWING	SERIES	MATERIAL NUMBER	CUSTOMER	SHEET NUMBER				
				C-SIZE	75783	SEE TABLE	GENERAL MARKET	12 OF 12				

DOCUMENT STATUS	P1	RELEASE DATE	2023/06/29	13:27:16
-----------------	----	--------------	------------	----------