



HLTYH1004

FEATURES 特性

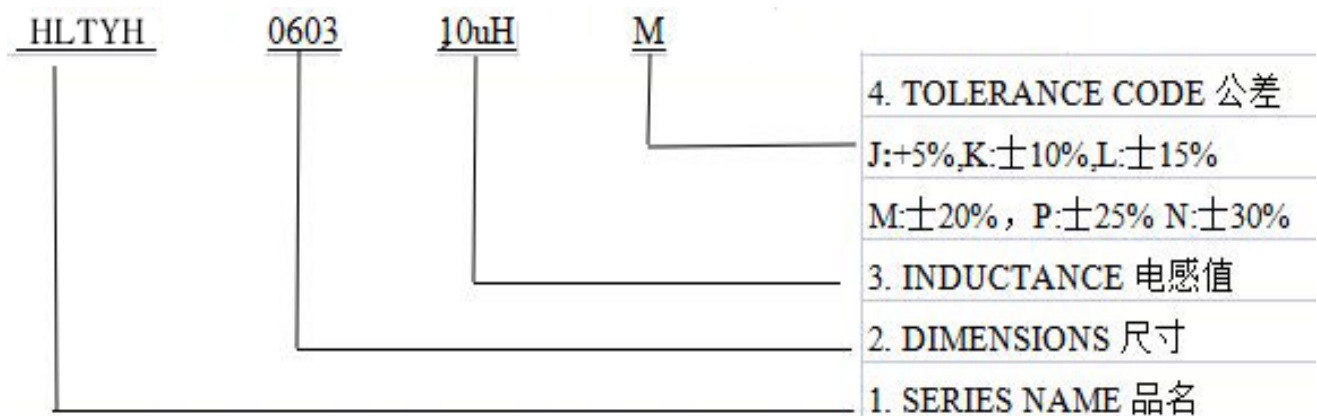
- 1.Magnetic shield structure, closed magnetic circuit, strong anti-electromagnetic interference, ultra-low buzzer, high-density installation. 磁屏蔽结构,闭合磁路,抗电磁干扰强,超低蜂鸣声,可高密度安装.
- 2.Small size, large current, range up to 60A, in high frequency and high temperature environment to maintain excellent temperature rise current and saturation current characteristics.小体积,大电流,范围可到60A,在高频和高温环境下保持优良的温升电流及饱和电流特性.
- 3.Low loss alloy powder die-casting, low resistance. Strong structure, high product accuracy.低损耗合金粉末压铸,低电阻.结构牢固,产品精准度高.
- 4.Wide operating frequency range, up to 5MHz or more. Halogen-free environmental protection products.工作频率范围广,可达5MHz以上. 无卤环保产品.

APPLICATIONS 用途

1. PAD/Notebook/Desktop/Server applications PAD, 笔记本电脑, 台式机, 服务器,
2. DC/DC converter DC/DC转换器

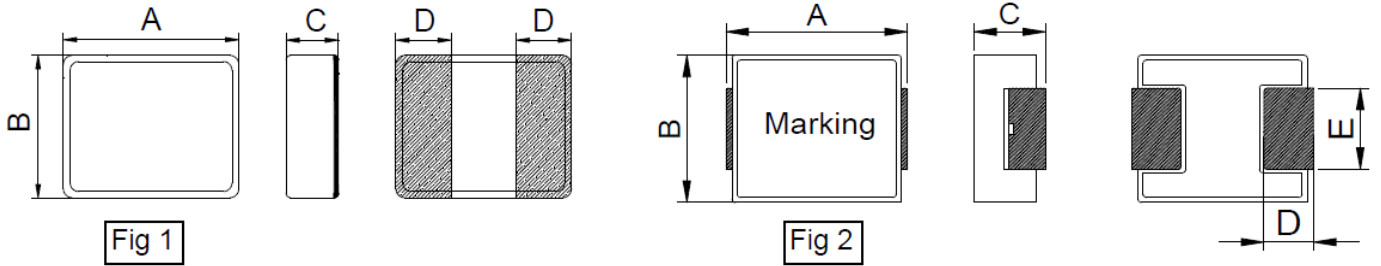
Product title	Size (LxWxH)	Inductance	Rated current
HLTYH1004	11.6mm Max/10.1±0.3mm/4.0mm Max	0.22μH~47μH	35.00A~3.00A

PART NUMBERING SYSTEM

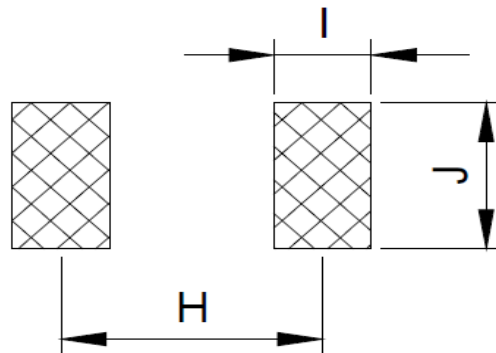




SHAPES AND DIMENSIONS 外形尺寸 (Unit:mm)



TYPE(型号)	A	B	C	D	E	Fig
HLTYH1004	11.6 Max.	10.1±0.3	4.0 Max	2.5±0.5	3.0±0.5	2
HLTYH1004 Copper wire as the terminal	11.6 Max.	10.1±0.3	4.0 Max	2.5±0.5	3.0±0.5/3.5±0.5	2



TYPE(型号)	H	I	J
HLTYH1004	9.5	3.5	4.0
HLTYH1004 Copper wire as the terminal	9.5	3.5	4.0



SPECIFICATION TABLE:

PART NUMBER	INDUCTANCE (μH)	DCR (mΩ) @25°C		Heat Rating Current DC Amps. Idc (A)	Saturation Current DC Amps. Isat (A)
		Typical	Maximum	Typical	Typical
HLTYH1004- 0.22uH/M	0.22±20%	0.90	1.10	35.00	45.00
HLTYH1004- 0.36uH/M	0.36±20%	1.05	1.20	34.00	42.00
HLTYH1004- 0.47uH/M	0.47±20%	1.53	1.68	28.00	38.00
HLTYH1004- 0.56uH/M	0.56±20%	1.60	1.80	27.00	32.00
HLTYH1004- 0.68uH/M	0.68±20%	2.10	2.40	23.00	30.00
HLTYH1004- 1uH/M	1±20%	3.00	3.30	20.00	26.00
HLTYH1004- 1.5uH/M	1.5±20%	3.80	4.20	16.00	22.00
HLTYH1004- 2.2uH/M	2.2±20%	6.00	7.00	14.00	16.00



HLTYH1004- 3.3uH/M	3.3±20%	10.80	11.80	11.00	13.00
HLTYH1004- 4.7uH/M	4.7±20%	14.00	16.50	8.50	12.00
HLTYH1004- 6.8uH/M	6.8±20%	22.50	25.00	8.00	10.00
HLTYH1004- 8.2uH/M	8.2±20%	25.00	27.00	7.50	9.00
HLTYH1004- 10uH/M	10±20%	27.00	30.00	6.50	7.00
HLTYH1004- 15uH/M	15±20%	40.00	45.00	6.25	6.00
HLTYH1004- 22uH/M	22±20%	60.00	66.00	5.00	5.50
HLTYH1004- 33uH/M	33±20%	85.00	92.00	4.00	4.50
HLTYH1004- 47uH/M	47±20%	129.00	150.00	3.00	4.00

Remark:

All test data is reference to 25°C ambient.

Test Condition : 1MHz , 1Vrms

I_{dc} : DC current (A) that will cause an approximate Δ T of 40°C

I_{sat} : DC current (A) that will cause L0 to drop approximately 30% Typ.

Operat between temperature range -40°C to +125°C (Including self - temperature rise)

Absolute maximum voltage: DC 25V