



# HLTYH1005

## FEATURES 特性

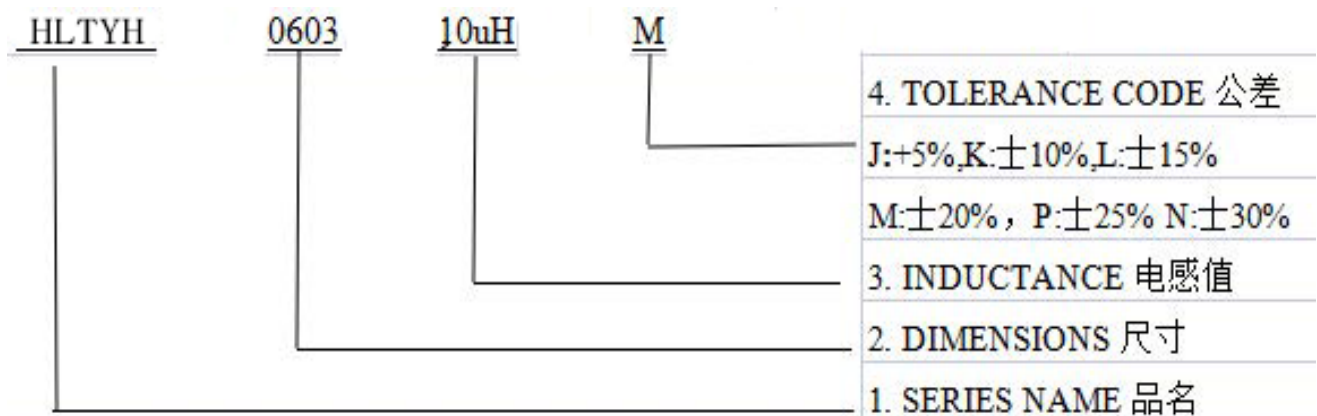
- 1.Magnetic shield structure, closed magnetic circuit, strong anti-electromagnetic interference, ultra-low buzzer, high-density installation. 磁屏蔽结构,闭合磁路,抗电磁干扰强,超低蜂鸣声,可高密度安装.
- 2.Small size, large current, range up to 60A, in high frequency and high temperature environment to maintain excellent temperature rise current and saturation current characteristics.小体积,大电流,范围可到60A,在高频和高温环境下保持优良的温升电流及饱和电流特性.
- 3.Low loss alloy powder die-casting, low resistance. Strong structure, high product accuracy.低损耗合金粉末压铸,低电阻.结构牢固,产品精准度高.
- 4.Wide operating frequency range, up to 5MHz or more. Halogen-free environmental protection products.工作频率范围广,可达5MHz以上. 无卤环保产品.

## APPLICATIONS 用途

1. PAD/Notebook/Desktop/Server applications PAD, 笔记本电脑, 台式机, 服务器,
2. DC/DC converter DC/DC转换器

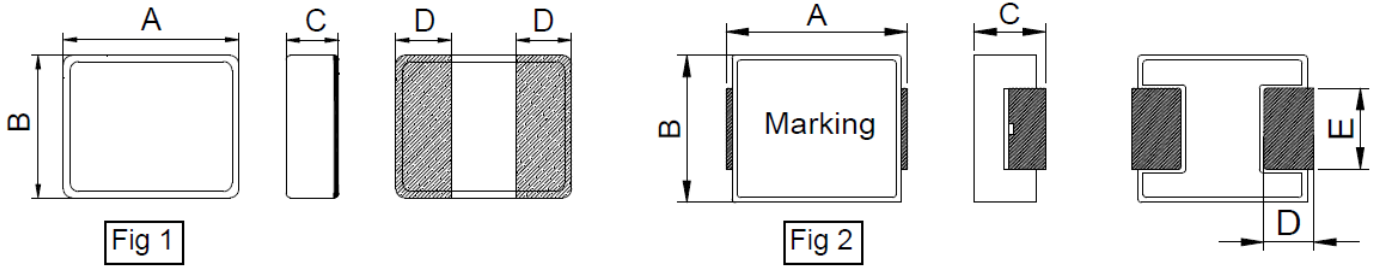
Product title	Size (LxWxH)	Inductance	Rated current
HLTYH1005	11.6mm Max/10.1±0.3mm/5.0mm Max	1μH~47μH	19.00A~3.00A

## PART NUMBERING SYSTEM

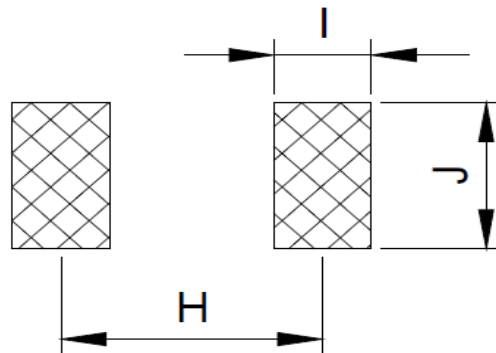




## SHAPES AND DIMENSIONS 外形尺寸 (Unit:mm)



TYPE(型号)	A	B	C	D	E	Fig
HLTYH1005	11.6 Max.	10.1±0.3	5.0 Max	2.5±0.5	3.0±0.5	2
HLTYH1005 Copper wire as the terminal	11.6 Max.	10.1±0.3	5.0 Max	2.5±0.5	3.0±0.5/3.5±0.5	2



TYPE(型号)	H	I	J
HLTYH1005	9.5	3.5	4.0
HLTYH1005 Copper wire as the terminal	9.5	3.5	4.0



SPECIFICATION TABLE:

PART NUMBER	INDUCTANCE ( $\mu\text{H}$ )	DCR ( $\text{m}\Omega$ ) @25°C		Heat Rating Current DC Amps. Idc (A)	Saturation Current DC Amps. Isat (A)
		Typical	Maximum	Typical	Typical
HLTYH1005- 1uH/M	1 $\pm$ 20%	2.30	3.00	19.00	28.00
HLTYH1005- 1.5uH/M	1.5 $\pm$ 20%	3.20	4.00	16.00	25.00
HLTYH1005- 2.2uH/M	2.2 $\pm$ 20%	5.50	6.60	13.00	19.00
HLTYH1005- 3.3uH/M	3.3 $\pm$ 20%	9.20	11.00	11.00	18.00



HLTYH1005- 4.7uH/M	4.7±20%	12.00	15.00	9.00	15.00
HLTYH1005- 5.6uH/M	5.6±20%	14.00	18.00	8.50	14.00
HLTYH1005- 6.8uH/M	6.8±20%	16.00	19.20	8.00	13.00
HLTYH1005- 10uH/M	10±20%	23.00	28.00	7.00	10.00
HLTYH1005- 15uH/M	15±20%	35.00	42.00	6.50	7.00
HLTYH1005- 22uH/M	22±20%	58.00	70.00	5.50	6.00
HLTYH1005- 33uH/M	33±20%	70.00	84.00	4.50	5.00
HLTYH1005- 47uH/M	47±20%	130.00	150.00	3.00	4.50

**Remark:**

All test data is reference to 25°C ambient.

Test Condition : 1MHz , 1Vrms

I<sub>dc</sub> : DC current (A) that will cause an approximate Δ T of 40°C

I<sub>sat</sub> : DC current (A) that will cause L<sub>0</sub> to drop approximately 30% Typ.

Operat between temperature range -40°C to +125°C (Including self - temperature rise)

Absolute maximum voltage: DC 25V