



# HLTYH1206

## FEATURES 特性

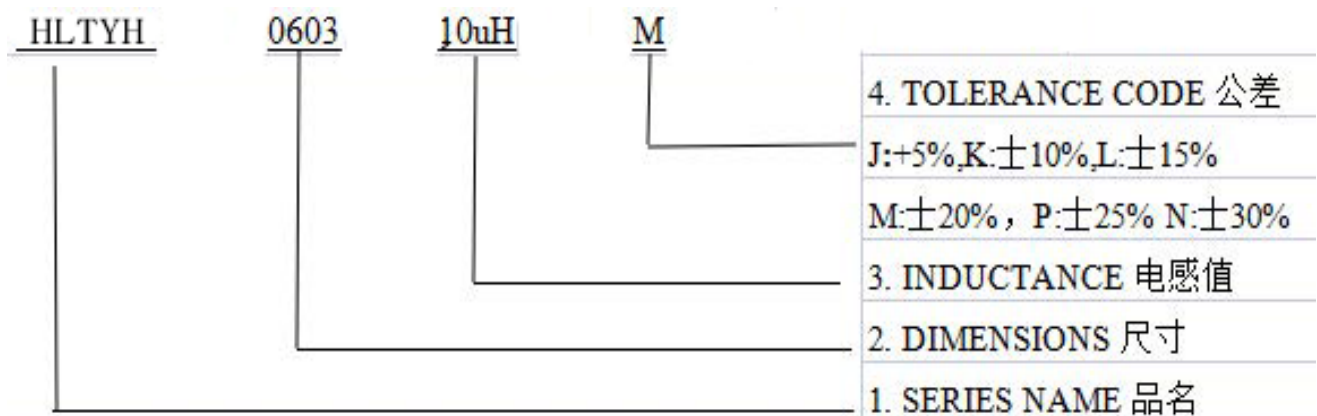
- 1.Magnetic shield structure, closed magnetic circuit, strong anti-electromagnetic interference, ultra-low buzzer, high-density installation. 磁屏蔽结构,闭合磁路,抗电磁干扰强,超低蜂鸣声,可高密度安装.
- 2.Small size, large current, range up to 60A, in high frequency and high temperature environment to maintain excellent temperature rise current and saturation current characteristics.小体积,大电流,范围可到60A,在高频和高温环境下保持优良的温升电流及饱和电流特性.
- 3.Low loss alloy powder die-casting, low resistance. Strong structure, high product accuracy.低损耗合金粉末压铸,低电阻.结构牢固,产品精准度高.
- 4.Wide operating frequency range, up to 5MHz or more. Halogen-free environmental protection products.工作频率范围广,可达5MHz以上. 无卤环保产品.

## APPLICATIONS 用途

1. PAD/Notebook/Desktop/Server applications PAD, 笔记本电脑, 台式机, 服务器,
2. DC/DC converter DC/DC转换器

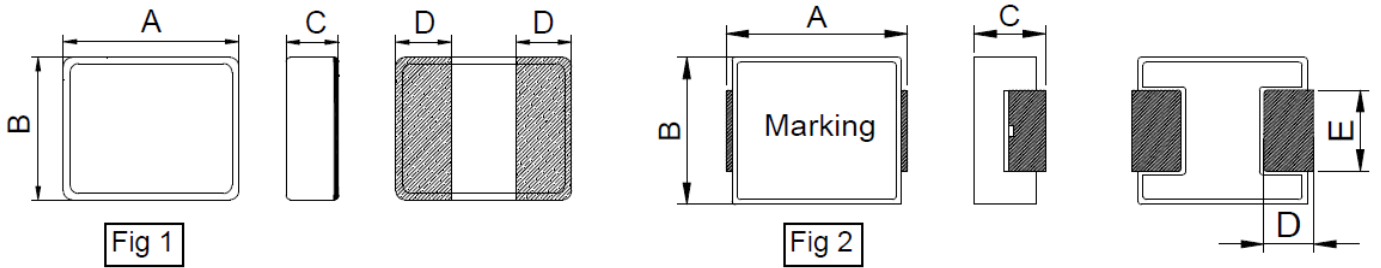
Product title	Size (LxWxH)	Inductance	Rated current
HLTYH1206	13.8mm Max/12.6±0.3mm/6.0mm Max	2.2μH~150μH	18.00A~2.00A

## PART NUMBERING SYSTEM

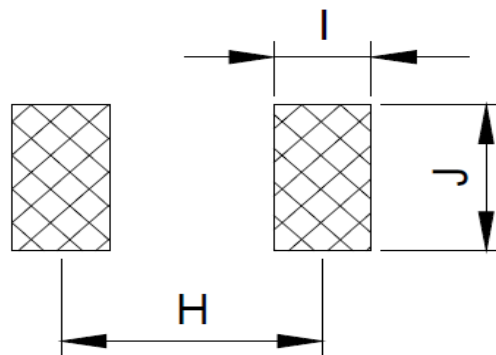




## SHAPES AND DIMENSIONS 外形尺寸 (Unit:mm)



TYPE(型号)	A	B	C	D	E	Fig
HLTYH1206	13.8 Max.	12.6±0.3	6.0 Max	2.7±0.7	3.5±0.5	2
HLTYH1206 Copper wire as the terminal	13.8 Max.	12.6±0.3	6.0 Max	2.7±0.7	3.0±0.5/3.5±0.5	2



TYPE(型号)	H	I	J
HLTYH1206	10.5	4	5.5
HLTYH1206 Copper wire as the terminal	10.5	4	5.5



**SPECIFICATION TABLE:**

PART NUMBER	INDUCTANCE (μH)	DCR (mΩ) @25°C		Heat Rating Current DC Amps. Idc (A)	Saturation Current DC Amps. Isat (A)
		Typical	Maximum	Typical	Typical
HLTYH1206- 2.2uH/M	2.2±20%	4.20	6.00	18.00	26.00
HLTYH1206- 3.3uH/M	3.3±20%	5.60	9.00	12.00	23.00
HLTYH1206- 4.7uH/M	4.7±20%	7.20	10.50	11.50	18.00
HLTYH1206- 6.8uH/M	6.8±20%	10.00	13.80	11.50	15.00
HLTYH1206- 8.2uH/M	8.2±20%	13.60	16.00	11.00	13.50
HLTYH1206- 10uH/M 10	±20%	18.00	20.70	10.00	12.50
HLTYH1206- 10uH/M 15	±20%	25.00	29.00	6.00	9.00



HLTYH1206-18uH/M 18	±20%	30.00	35.00	5.00	8.00
HLTYH1206-22uH/M	22±20%	34.00	39.50	5.00	7.50
HLTYH1206-27uH/M	27±20%	54.00	60.00	4.00	6.50
HLTYH1206-33uH/M	33±20%	65.00	75.00	4.00	6.00
HLTYH1206-47uH/M	47±20%	80.00	90.00	3.50	5.50
HLTYH1206-68uH/M	68±20%	115.00	130.00	3.25	4.50
HLTYH1206-82uH/M	82±20%	120.00	140.00	3.00	4.00
HLTYH1206-100uH/M	100±20%	180.00	200.00	2.50	3.50
HLTYH1206-120uH/M	120±20%	210.00	235.00	2.30	3.20
HLTYH1206-150uH/M	150±20%	300.00	350.00	2.00	2.70

**Remark:**

All test data is reference to 25°C ambient.

Test Condition : 1MHz , 1Vrms

Idc : DC current (A) that will cause an approximate Δ T of 40°C

Isat : DC current (A) that will cause L0 to drop approximately 30% Typ.

Operat between temperature range -40°C to +125°C (Including self - temperature rise)

Absolute maximum voltage: DC 25V